

本资料所载产品图片数据仅供参考，具体数据已实际尺寸为准
如有更改恕不另外通知，本资料最终解释权归本公司所有。
2020年XX月印刷。

为建筑做到极致
WWW.FSTIANBIAN.COM



田边官网

广东田边建筑五金制品有限公司

生产基地：广东省肇庆市高要区金利金盛工业园

联系电话：0758-859 3728

传真：0758-859 3977

电子邮箱：TB3008@126.com



微信公众号

Guangdong Tianbian Building Hardware Products Co., Ltd.

Production Base: Jinsheng Industrial Park, Jinli Town, Gaoyao District,
Zhaoqing City, Guangdong Province.

Tel: 0758-859 3728

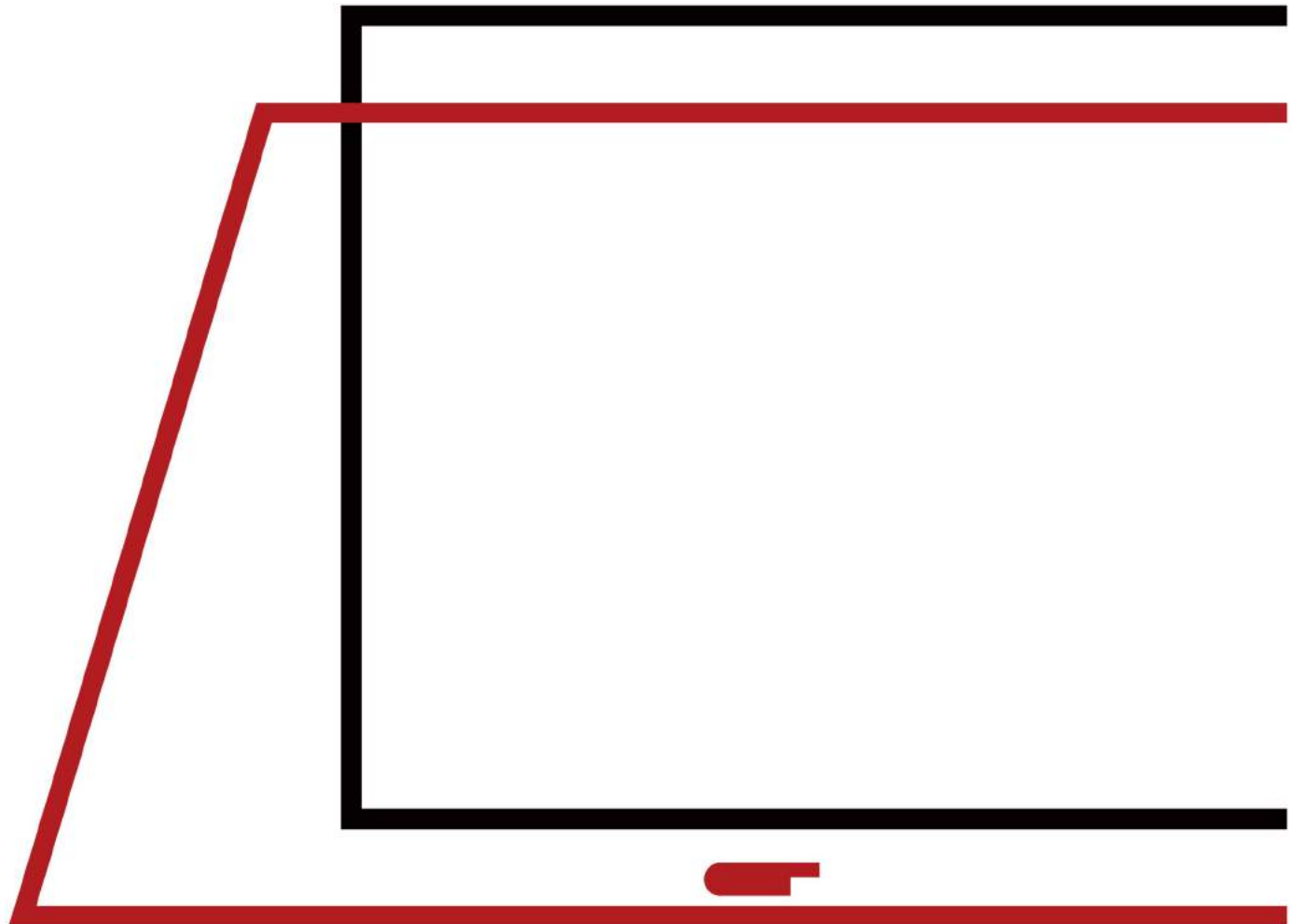
Fax: 0758-859 3977

E-mail: TB3008@126.com

门控五金产品

DOOR CONTROL
HARDWARE PRODUCTS

TianBian Buildings Har



COMPANY PROFILE

公司简介

广东田边建筑五金制品有限公司成立于1989年，坐落于广东肇庆金盛工业园，占地面积约五万平方米，是一家集研发、生产、销售于一体的专业门窗、幕墙与门控五金配套件制造企业。曾荣获中国门窗幕墙五金十佳品牌、中国著名品牌、中国科技创新重点保护品牌、中国五金行业推荐品牌、中国工程建设推荐品牌、全国质量信誉保证·畅销品牌等。

公司以“实力铸就品质，服务铸就品牌”为核心经营理念，以“共谋福祉、共享未来”为企业使命。拥有企业独立自主的研发中心，可以根据客户的需要和要求，开发适合各种铝型材及各种功能的五金产品。拥有先进的智能化生产制造设备，并建立了企业自己的产品检测中心，对于出厂产品进行严格的检验检测，严守质量关口。以卓越的产品质量，赢得广大用户的认可和好评。

Founded in 1989, Guangdong Tianbian Building Hardware Co., Ltd with its 50,000 square meters production base was located in Jinsheng Industrial Park, Zhaoqing City, Guangdong Province. We are a professional manufacturer with own R&D, production and sales departments on window & door hardware, curtain wall hardware and door closer hardware. We have awarded China Top 10 window & door and curtain wall hardware brand, China Famous Brand, China scientific and technological innovation key conservation brand, China hardware industry recommended brand, China engineering construction recommended brand, China quality reputation assurance & best-selling brand, etc.

With the core business philosophy “strength cast quality, service create brand” and “seeking welfare, sharing better future” enterprise mission, we have independent R&D center which can R&D all kinds of aluminum profile and functional hardware according to customer’s need and demand. We also have advanced smart production equipment and product test center which can assure the products are in best quality to win the recognition and praise from the majority of users.







海南海洋欢乐世界



昌西核电厂



海南富力湾



重庆旭辉城



河东综合交通枢纽中心



武汉火车站



马来西亚碧桂园



云南大理洱海传奇



包头富力院士廷



福建三明富力爱丁堡



中蒙襄阳国际商贸城



宁波中海国际



重庆泽科弹子石中心



重庆银翔翡翠谷



深圳大都汇



西安富力白鹭湾



山西太原富力湾



浙江湖州富力城



珠海澳门大学



河南远大理想城



河南清华大溪地



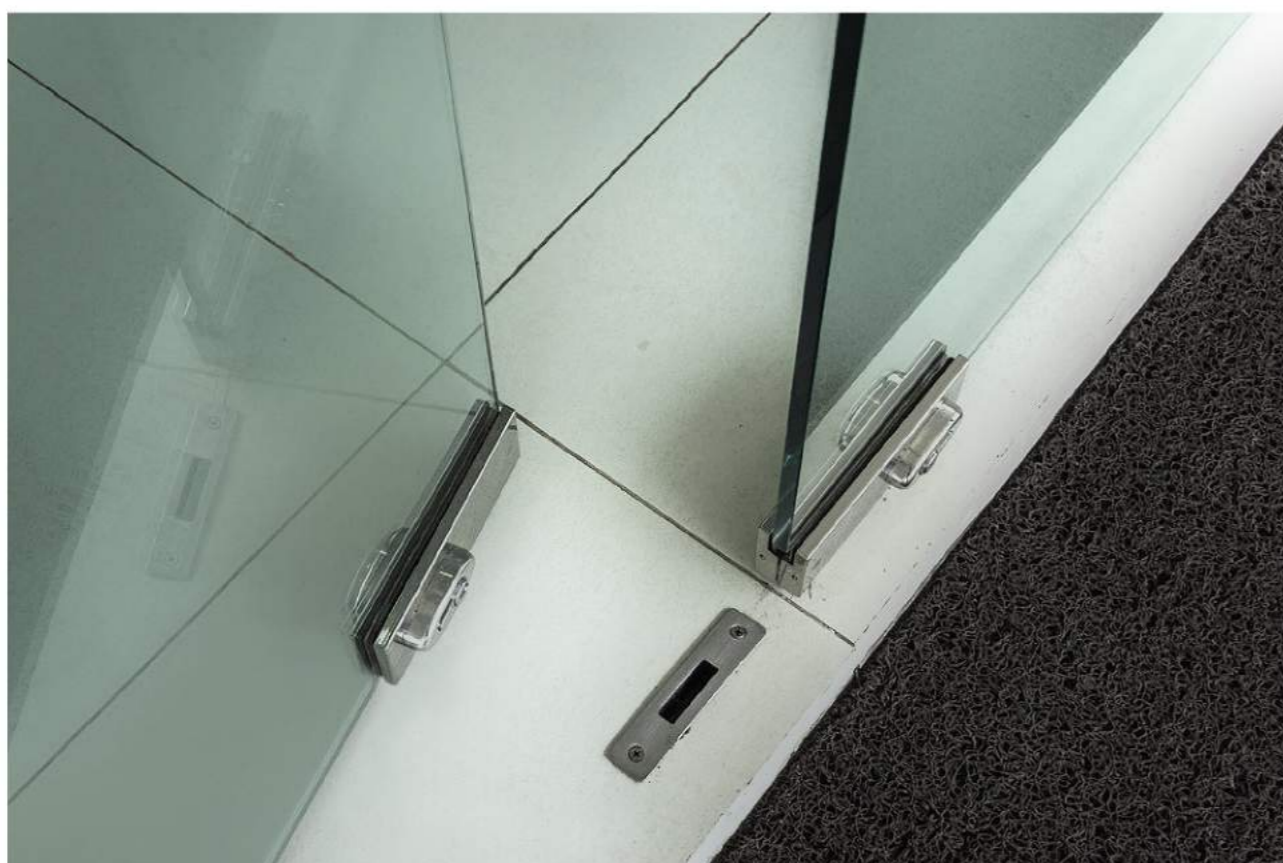
山东威海那香海



天津梅江风景区西子花园



云南螺蛳湾商贸城



DIRECTORY

目录

01 门窗五金产品

DOORS AND WINDOWS HARDWARE

1-1 地弹簧系列	01
FLOOR HINGE SERIES	
1-2 地锁系列	10
GROUND LOCK SERIES	
1-3 闭门器系列	11
DOOR CLOSER SERIES	
1-4 拉手系列	13
PULLING HANDLE SERIES	
1-5 门夹系列	17
DOOR CLAMP SERIES	
1-6 开窗器系列	19
WINDOW OPENER SERIES	

TB-KMD



说明
Instruction

- ◆ 地弹簧是安装在平开门门扇下部，实现自动关闭门扇的装置。地弹簧开启方式有双向开启和单向开启两种。地弹簧能承担门扇的重量，可与门夹配合适用。地弹簧门配件由上下两部分组成，其上部结构为门顶轴和轴套，下部结构为回转轴杆和地弹簧底座。
- ◆ 如果没有按照安装说明进行地弹簧的安装，就有可能导致漏油、弹力减弱、外壳物理性破损等相关问题。
- ◆ 地弹簧不仅可使门扇自动关闭，运行平衡、无噪声，而且还可以调整门扇自动关闭的速度。当门扇开启角度小于90°时，门扇可里外双向自动关闭；当门扇开启到90°时，门扇可固定不动，这种地弹簧因主要结构埋于地下，可保持门扇美观，多用于较高级建筑物的门上。地弹簧在选用时应考虑门扇重量、门扇尺寸、使用场所、使用频率、使用对象等因素。
- ◆ Swing to the door leaf spring is installed in the lower part, the device automatical close doors. Two-way opening way to spring open and two single turn. In the spring to take the weight of the door leaf may be applied with doors. To spring in the upper and lower parts the top of the upper structure of the door shaft and sleeve, the lower part of the structure of rotary rod and base.
- ◆ If the floor spring is not installed in accordance with the installation instructions, it may cause oil leakage, weakened elasticity, and physical damage to the casing.
- ◆ Not only can the doors to automatically close the spring, running balance, no noise, and can also automatically close the doors to adjust the speed. When the door opening angle is less than 90°, inside and outside the two-way door can be automatically shut down when the door open to 90°, the door can be fixed and the spring due to the main structure of this buried, can keep the doors and beautiful, used for higher on the door of the building. In spring the doors should be considered in the selection of the weight of the door leaf size, site of use, frequency of use, the use of objects and other factors.

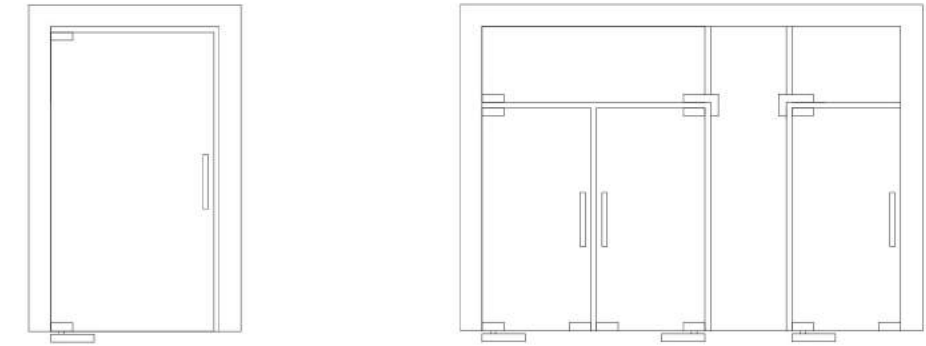
地弹簧的作用
To the role of the spring

- ◆ 实现房屋空间利用率最大化。
- ◆ 控制门的开启、闭合，为使用者提供方便。
- ◆ 确保门的锁钉装置（机械锁、电锁）能够正常工作。
- ◆ Maximize the utilization of house space.
- ◆ Control to open the door, close, convenient users.
- ◆ Ensure that the door locking device (mechanical locks, power locks) work.

特殊要求
Special requirements

- ◆ 定位：此功能不能用于防火门。
- ◆ 缓冲：是为了防止门因被猛烈开启可能造成的撞击。
- ◆ 延时关门：从开门角度90°至延时末端65°开门角度经过时间大于10S。
- ◆ 安全阀：当门在猛烈冲击时，消除助力以减少危险。
- ◆ 防火门：可共用于左右方向：只适合在单向防火门，配铜芯铰链。
- ◆ 门安装：为了抵抗外来风压，需选用大一号力。
- ◆ Location: this feature is not available for fire doors.
- ◆ Buffer: due to the buffer to prevent the door being opened may result in severe shock.
- ◆ Closing delay: from the opening angle of 90° to 65°, opening angle of delay after the end of time is greater than 10s.
- ◆ Safety valve: when the door violently shock, eliminate resistance to reduce the risk.
- ◆ Fire doors: can be used for a total of about direction: only suitable for fire doors in the way, with dong heart hinge.
- ◆ Outside the doors: in order to prevent anti-foreign pressure need to choose a bigger force.

地弹簧装配图
Spring assembly



钢化玻璃重量计算表
Toughened glass weight computation table

玻璃厚度 (mm) The thickness of the glass	4	5	6	8	10	12	13
玻璃重量 (kg/m²) The thickness of the glass	10	12.5	15	20	25	30	37.5

门扇重量和推拉门宽度
Door leaf weight and sliding door to door width

门合力级别 Door resultant force level	1	2	3	4	5	6	7	8	9
门扇最大重量 (kg) Door maximum weight	20	40	60	80	100	120	160	180	250
门扇宽度 (mm) Door leaf width	< 750	850	950	1100	1200	1250	1400	1500	1600

适用范围
Scope

- ◆ 适用于单向及双向开启的玻璃平开门或普通木门。
- ◆ For one-way and two open doors or ordinary glass doors of Kaiping.

配件安装说明
Accessories installation matters

- ◆ 安装时凸轮头必须同支臂、门夹水平配合，以免此处配合不平导致开关门时发生响动。
- ◆ 凸轮头斜面不得磨削，以免中心定位晃动，产生响声。
- ◆ 凸轮头处必须安装防尘罩，以免因杂质导致此处发生漏油现象。
- ◆ During installation, cam head must match horizontally with supporting arm and door clamp head, so as to avoid noise and move of door opening and closing.
- ◆ Cam head bevel cannot be grinded, to prevent shaking of center position and noise.
- ◆ Dust cap must be installed at cam head to prevent impurities from causing oil leakage.

功能说明
The function instruction

- ◆ 产品经过50万次开关测试，经国家技术监督部门检定，品质稳定运行正常，符合QB/T 2697-2013的技术标准。
- ◆ 通用型设计，适合左右手及单双开启门扇，各使用方式均配有完整的配件。
- ◆ 门开启角度高达120°，可选用90°有止动装置或者无止动装置。
- ◆ The product after 500000 switch test, verification by the technical supervision departments of the state, quality stable operating normally, in line with QB/T 2697-2013 technical standards.
- ◆ Universal design, suitable for both single and double open the door leaf, and each use available complete accessories.
- ◆ A direction mixer door opening Angle of 116 degrees, mixer can choose 90 degree is stop orz not stop.

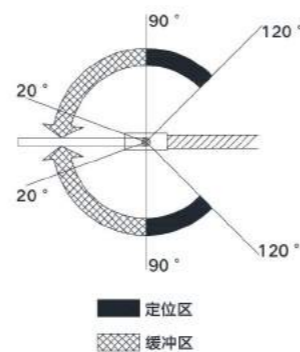
技术参数
Technological data

型号 Model	最大门扇尺寸 (mm) Maximun wide door leaf	最大门重 (kg) The maximum bearing weighf	速度调节 Sped governing conrtol	定位角度 Location degree
TB-KMD210	800 × 2100	80	两段调节	90° / 115°
TB-KMD322	900 × 2100	90	两段调节	90° / 115°
TB-KMD322A	1200 × 2300	110	两段调节	90° / 115°
TB-KMD322B	1200 × 2300	150	两段调节	90° / 115°

TB-KMD21



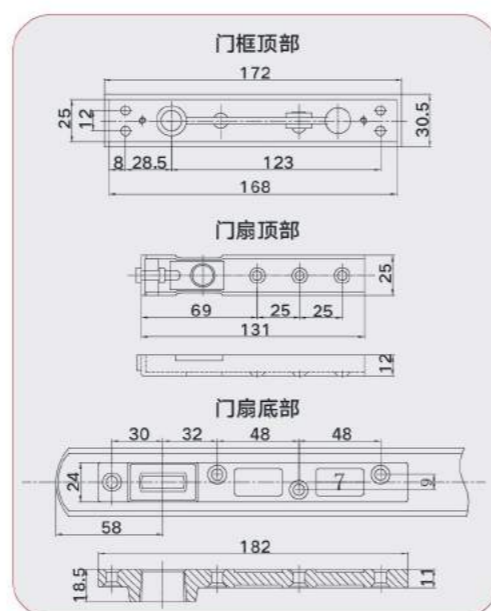
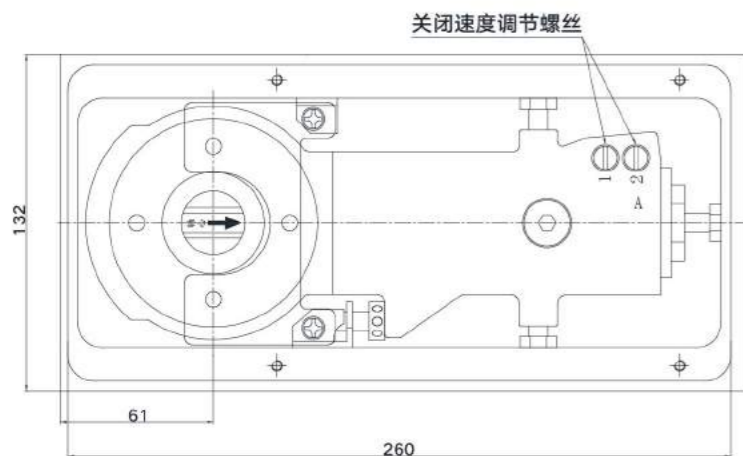
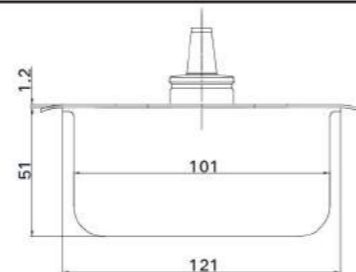
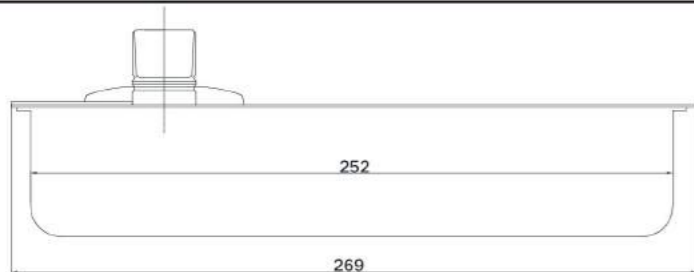
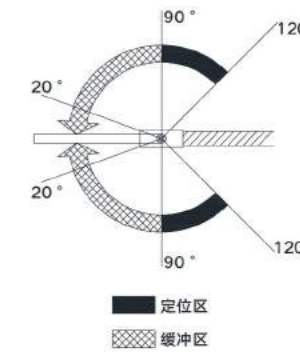
门扇宽度最大尺寸 (mm) Maximum door leaf width	800
适合门扇最大重量 (kg) Suitable for the maximum weight of the door leaf	80
地弹簧外形尺寸 (不含面板) (mm) Floor spring dimensions (without panel)	260 × 121 × 51



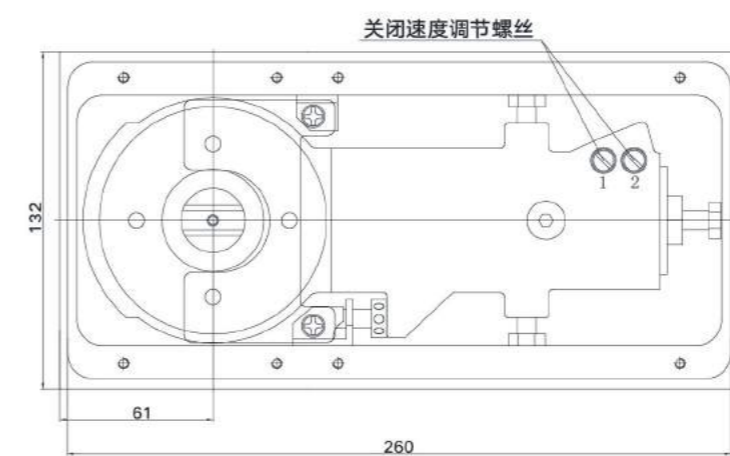
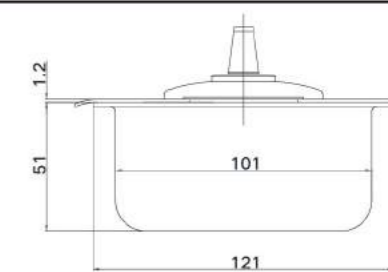
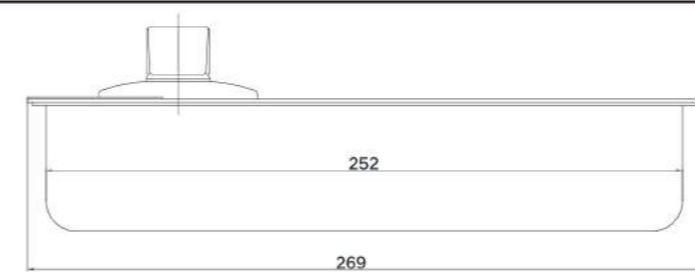
TB-KMD32



门扇宽度最大尺寸 (mm) Maximum door leaf width	900
适合门扇最大重量 (kg) Suitable for the maximum weight of the door leaf	90
地弹簧外形尺寸 (不含面板) (mm) Floor spring dimensions (without panel)	260 × 121 × 51



◆注意事项:
A处关闭速度出厂前已调整好, 若不满意, 可作微量调整; 先旋转调整螺丝1来调第一段关闭速度, 再旋转调整螺丝2来调节第二段速速至满意, 调整螺丝不得高于机体表面。
◆Precautions:
The closing speed at point A has been adjusted before leaving the factory. If you are not satisfied, you can make a slight adjustment; first turn the adjustment screw 1 to adjust the first step. Turn off the speed, and then turn the adjusting screw 2 to adjust the second speed to a satisfactory level. The adjusting screw must not be higher than the surface of the body.



◆注意事项:
A处关闭速度出厂前已调整好, 若不满意, 可作微量调整; 先旋转调整螺丝1来调第一段关闭速度, 再旋转调整螺丝2来调节第二段速速至满意, 调整螺丝不得高于机体表面。
◆Precautions:
The closing speed at point A has been adjusted before leaving the factory. If you are not satisfied, you can make a slight adjustment; first turn the adjustment screw 1 to adjust the first step. Turn off the speed, and then turn the adjusting screw 2 to adjust the second speed to a satisfactory level. The adjusting screw must not be higher than the surface of the body.

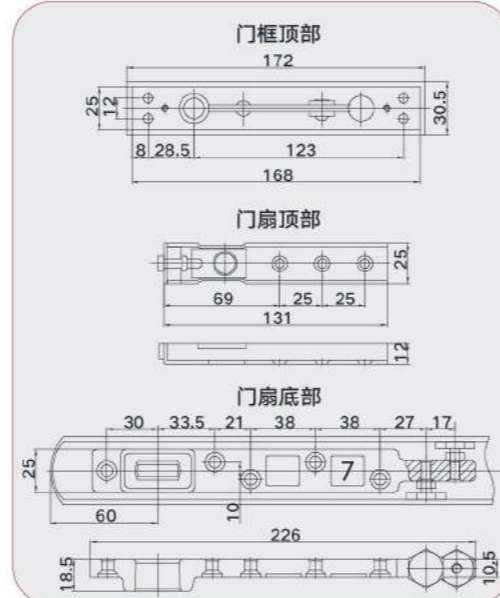
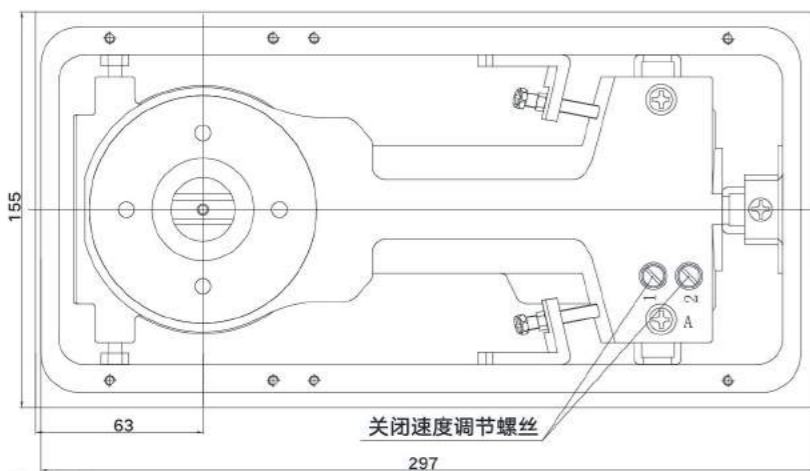
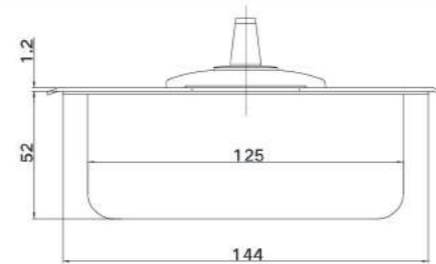
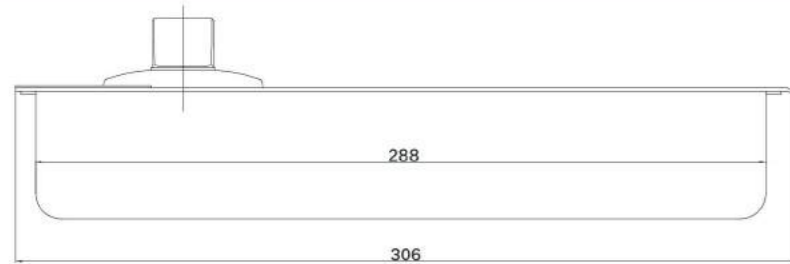
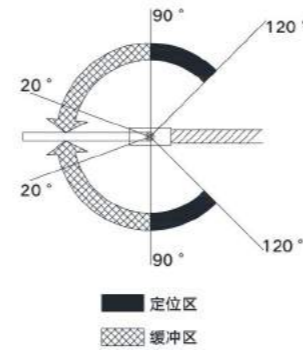
TB-KMD32A



门扇宽度最大尺寸 (mm)
Maximum door leaf width
1000

适合门扇最大重量 (kg)
Suitable for the maximum weight of the door leaf
110

地弹簧外形尺寸 (不含面板) (mm)
Floor spring dimensions (without panel)
297 × 144 × 52



◆注意事项:
A处关闭速度出厂前已调整好, 若不满意, 可作微量调整; 先旋转调整螺丝1来调第一段关闭速度, 再旋转调整螺丝2来调节第二段速度至满意, 调整螺丝不得高于机体表面。

◆Precautions:
The closing speed at point A has been adjusted before leaving the factory. If you are not satisfied, you can make a slight adjustment; first turn the adjustment screw 1 to adjust the first step. Turn off the speed, and then turn the adjusting screw 2 to adjust the second speed to a satisfactory level. The adjusting screw must not be higher than the surface of the body.

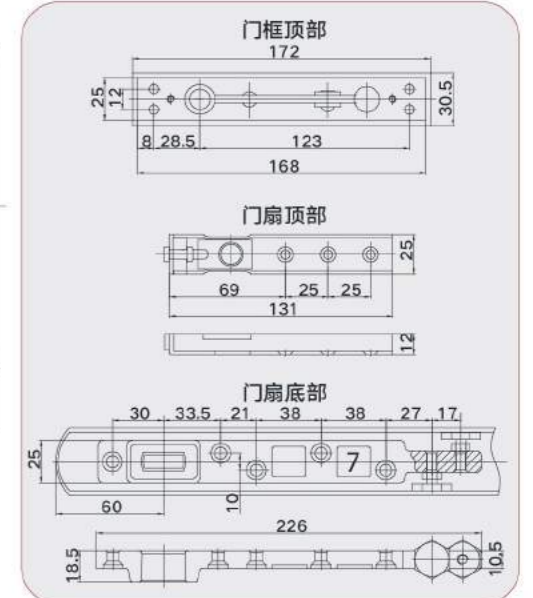
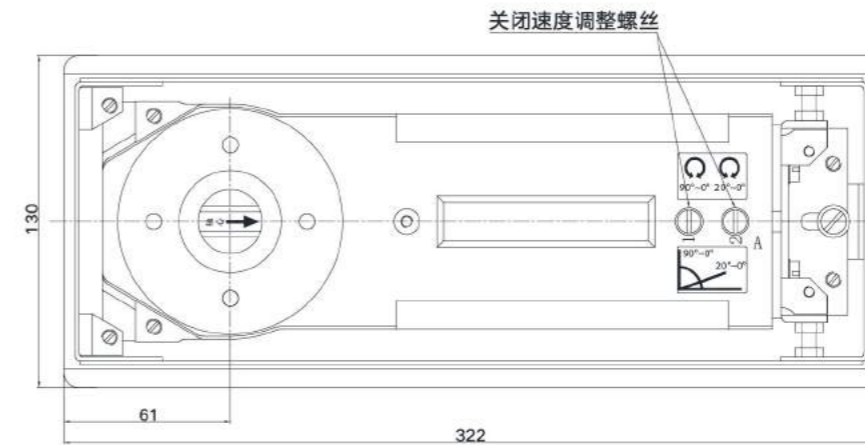
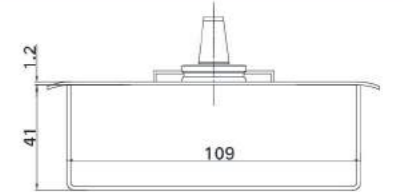
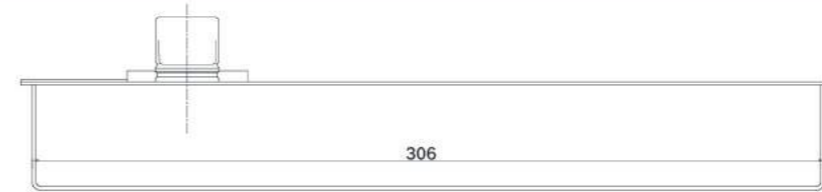
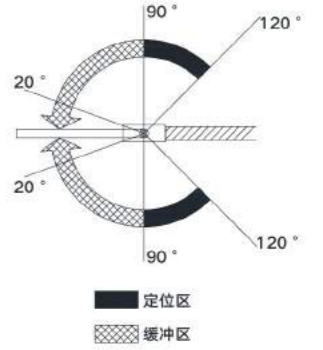
TB-KMD95



门扇宽度最大尺寸 (mm)
Maximum door leaf width
1200

适合门扇最大重量 (kg)
Suitable for the maximum weight of the door leaf
150

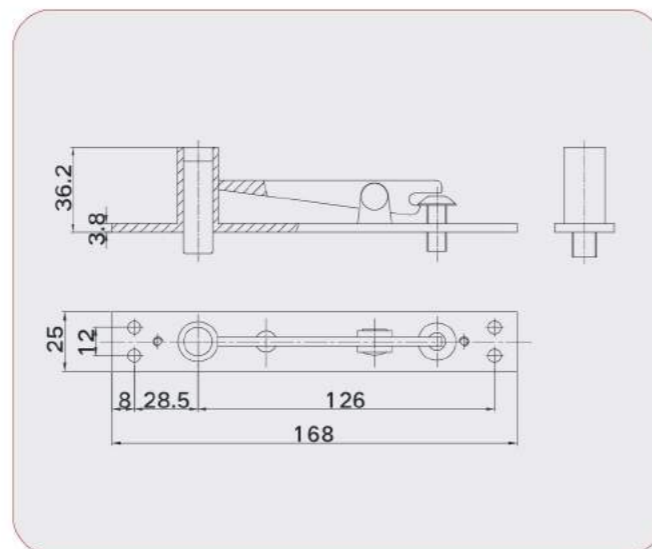
地弹簧外形尺寸 (不含面板) (mm)
Floor spring dimensions (without panel)
306 × 109 × 41



◆注意事项:
A处关闭速度出厂前已调整好, 若不满意, 可作微量调整; 先旋转调整螺丝1来调第一段关闭速度, 再旋转调整螺丝2来调节第二段速度至满意, 调整螺丝不得高于机体表面。

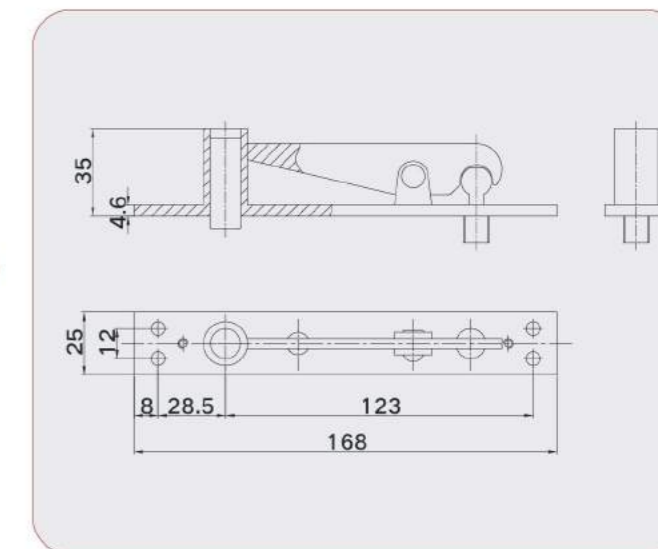
◆Precautions:
The closing speed at point A has been adjusted before leaving the factory. If you are not satisfied, you can make a slight adjustment; first turn the adjustment screw 1 to adjust the first step. Turn off the speed, and then turn the adjusting screw 2 to adjust the second speed to a satisfactory level. The adjusting screw must not be higher than the surface of the body.

TB-KDP01



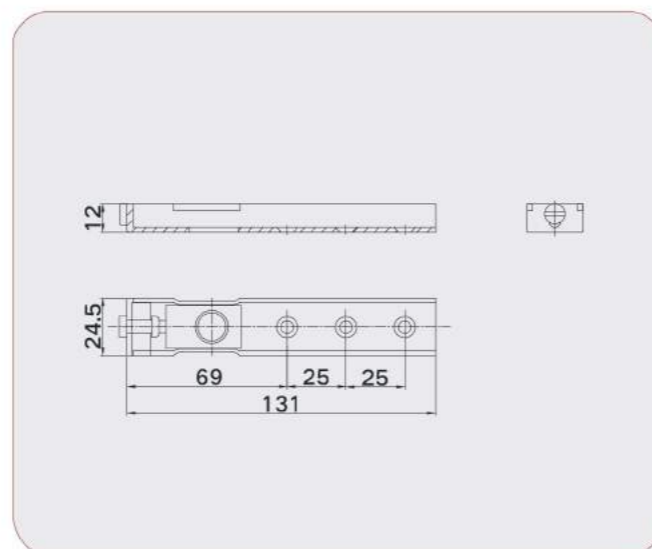
◆和TB-KDP02、TB-KDP03搭配使用。
◆Use with TB-KDP02 and TB-KDP03.

TB-KDP04



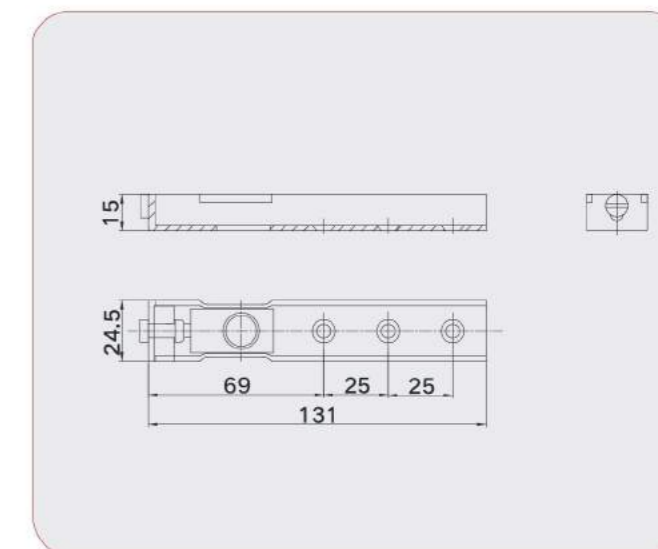
◆和TB-KDP05、TB-KDP06搭配使用。
◆Use with TB-KDP05 and TB-KDP06.

TB-KDP02



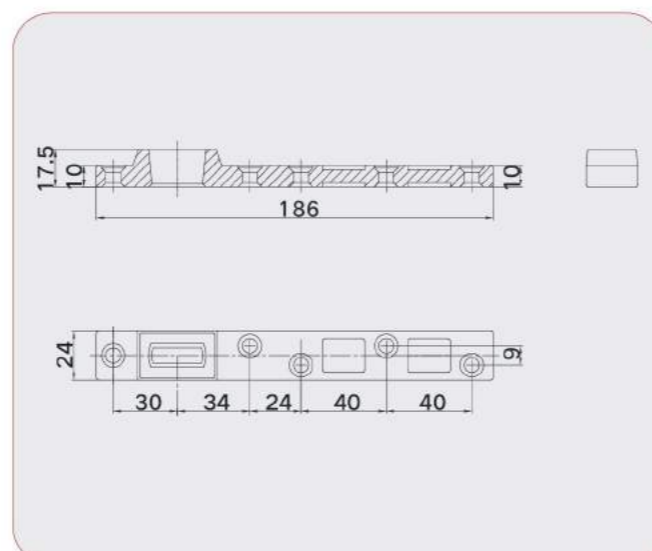
◆和TB-KDP01、TB-KDP03搭配使用。
◆Use with TB-KDP01 and TB-KDP03.

TB-KDP05



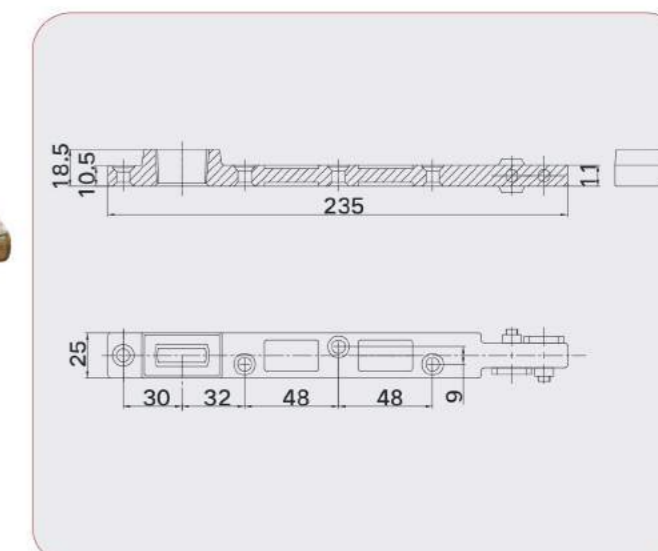
◆和TB-KDP04、TB-KDP06搭配使用。
◆Use with TB-KDP04 and TB-KDP06.

TB-KDP03



◆和TB-KDP01、TB-KDP02搭配使用。
◆Use with TB-KDP01 and TB-KDP02.

TB-KDP06



◆和TB-KDP04、TB-KDP05搭配使用。
◆Use with TB-KDP04 and TB-KDP05.

TB-KDZ01S

安装须知

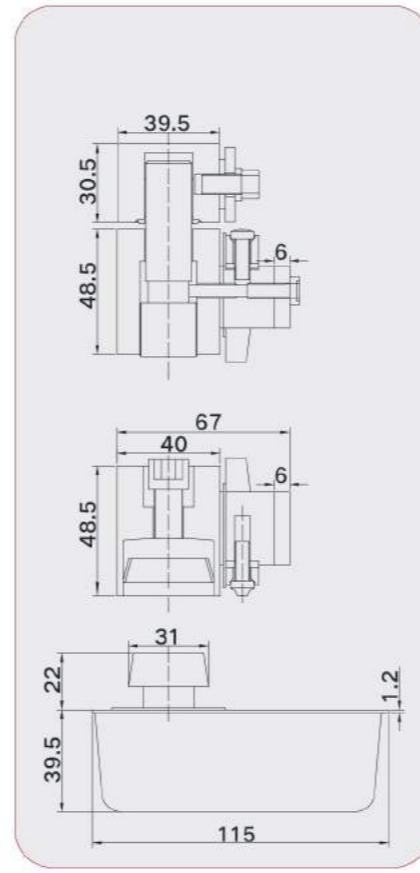
Instruction notice

- ◆ 模块按门型材3毫米壁厚设计，型材壁厚小于2毫米，加模块垫片调整。型材壁厚大于3毫米时模块楔紧后，模块会突出门上下框边，此时不要硬楔，防止损坏扇上铰块和扇下铰块，突出部分用角磨修平。
- ◆ 模块楔紧后，保证自锁设计，即扇上铰块不加锁紧螺钉，模块不会退出。完全保证肯德基地门配件安装要求。
- ◆ The wedge is designed according to the wall thickness of the door profile 3 mm, and the wall thickness of the profile is less than 2 mm, and the wedge gasket is added for adjustment. The profile wall thickness is greater than 3 millimeters After the wedge is tightly wedged, the wedge will protrude from the upper and lower frame of the door. Do not wedge hard at this time to prevent damage to the upper and lower hinges. Block the protruding part is smoothed with an angle grinder.
- ◆ After the wedge is tightly wedged, the self-locking design is ensured, that is, the hinge block on the fan does not add a locking screw, and the wedge will not exit. Fully guarantee KFC installation requirements for door fittings.

标准配置

The standard configuration

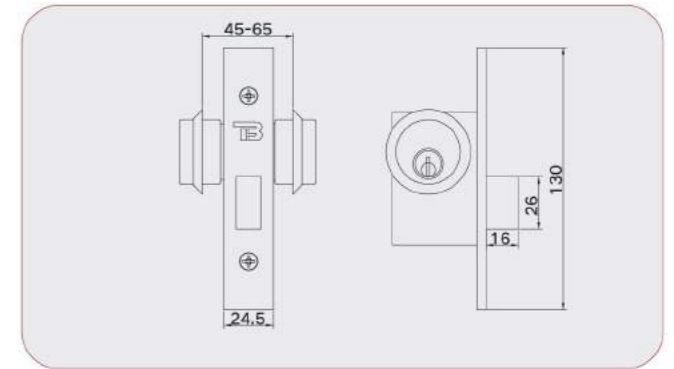
- ◆ 表面处理：拉丝
- ◆ 主要采制：铸铁、铝合金
- ◆ 最大门宽：1000mm
- ◆ 最大承重：100kg
- ◆ 适应范围：塑钢门、木门、8-12mm钢化玻璃门
- ◆ 主要功能：门扇最大开启170°
- ◆ 适用温度：-30℃~45℃
- ◆ 特性：开合50万次无损
- ◆ Finish: Satin
- ◆ Materials: Pressed iron, aluminium alloy
- ◆ Max door width: 1000mm
- ◆ Max door weight: 100kg
- ◆ Available for: Steel and wooden doors 8-12 toughened glass door
- ◆ Function: Two way open at 170°
- ◆ Applicable temperature: -30°C~45°C
- ◆ Features: Switching for 500,000 times



TB-KDS01



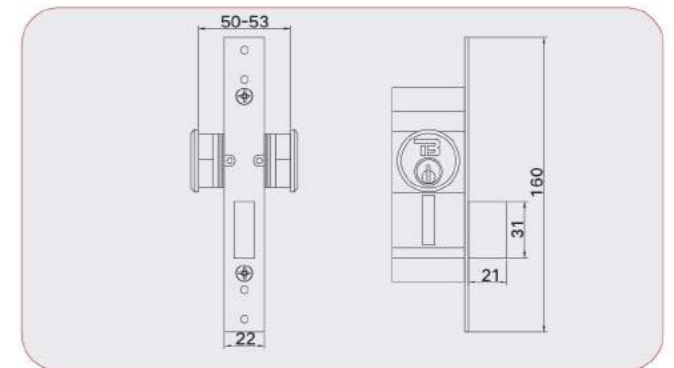
- ◆ 颜色：哑光，材质：铜、锌合金、铁。
- ◆ Color: Matte, material: Copper, zinc alloy, iron.



TB-KDS02



- ◆ 颜色：哑光，材质：铜、锌合金、铁。
- ◆ Color: Matte, material: Copper, zinc alloy, iron.



TB-KDZ01L

安装须知

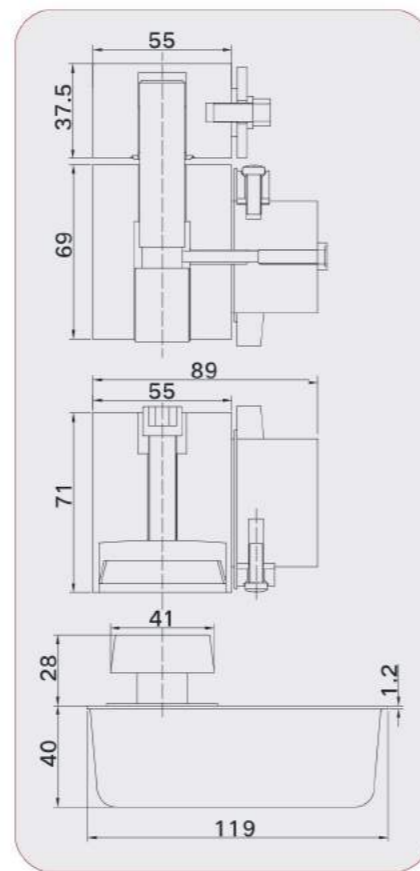
Instruction notice

- ◆ 模块按门型材3毫米壁厚设计，型材壁厚小于2毫米，加模块垫片调整。型材壁厚大于3毫米时模块楔紧后，模块会突出门上下框边，此时不要硬楔，防止损坏扇上铰块和扇下铰块，突出部分用角磨修平。
- ◆ 模块楔紧后，保证自锁设计，即扇上铰块不加锁紧螺钉，模块不会退出。完全保证肯德基地门配件安装要求。
- ◆ The wedge is designed according to the wall thickness of the door profile 3 mm, and the wall thickness of the profile is less than 2 mm, and the wedge gasket is added for adjustment. The profile wall thickness is greater than 3 millimeters After the wedge is tightly wedged, the wedge will protrude from the upper and lower frame of the door. Do not wedge hard at this time to prevent damage to the upper and lower hinges. Block the protruding part is smoothed with an angle grinder.
- ◆ After the wedge is tightly wedged, the self-locking design is ensured, that is, the hinge block on the fan does not add a locking screw, and the wedge will not exit. Fully guarantee KFC installation requirements for door fittings.

标准配置

The standard configuration

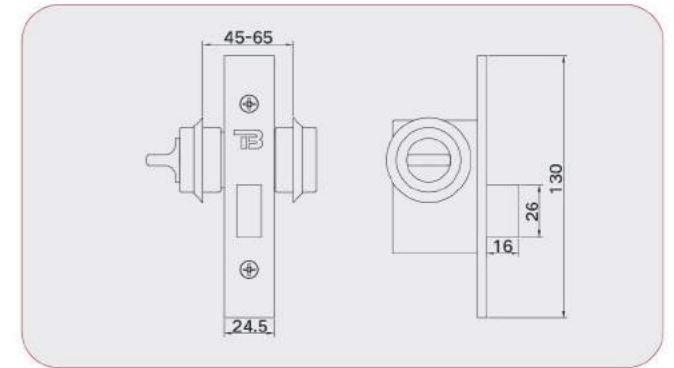
- ◆ 表面处理：拉丝
- ◆ 主要采制：铸铁、铝合金
- ◆ 最大门宽：1200mm
- ◆ 最大承重：120kg
- ◆ 适应范围：塑钢门、木门、8-12mm钢化玻璃门
- ◆ 主要功能：门扇最大开启170°
- ◆ 适用温度：-30℃~45℃
- ◆ 特性：开合50万次无损
- ◆ Finish: Satin
- ◆ Materials: Pressed iron, aluminium alloy
- ◆ Max door width: 1200mm
- ◆ Max door weight: 120kg
- ◆ Available for: Steel and wooden doors 8-12 toughened glass door
- ◆ Function: Two way open at 170°
- ◆ Applicable temperature: -30°C~45°C
- ◆ Features: Switching for 500,000 times



TB-KDS03



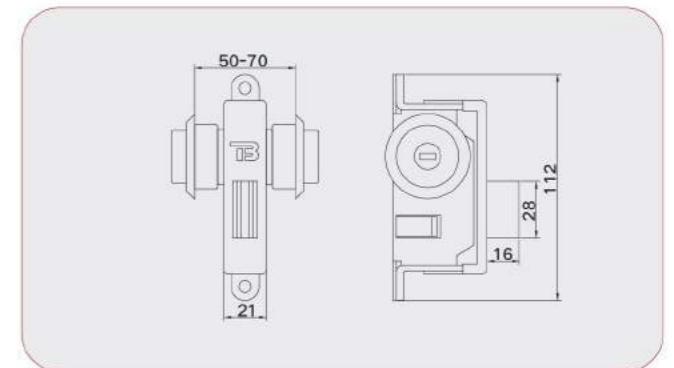
- ◆ 颜色：哑光，材质：铜、锌合金、铁。
- ◆ Color: Matte, material: Copper, zinc alloy, iron.



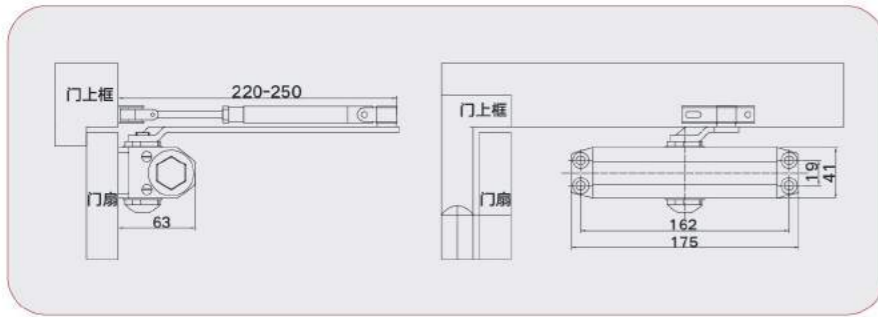
TB-KDS04



- ◆ 颜色：哑光，材质：铜、锌合金、铁。
- ◆ Color: Matte, material: Copper, zinc alloy, iron.



TB-KMB01

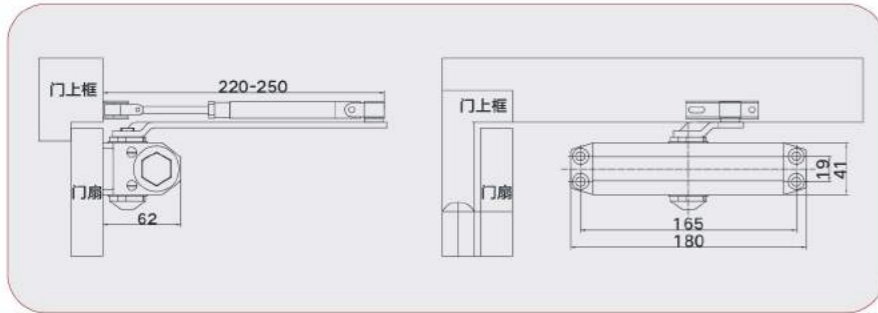


说明

Instruction

- ◆孔距：162×19mm。
- ◆适合门宽600-1200mm，适用门重45-60kg。
- ◆带止动功能（90°定位）及（90°定位）。
- ◆可调速度闭门段180°-20°，可调力度闭锁段20°-0°。
- ◆喷塑摇臂，防止腐蚀，精密油封，防止漏油。
- ◆优质压铸铝合金机体，三层光亮漆保护，防止氧化。
- ◆两个液压阀独立控制两段闭门，闭锁速度，作全段液压控制。
- ◆高碳钢齿轴、齿条，经高频调质处理，变形小，运行灵活。
- ◆符合国家QB/T 2698-2005闭门器作业标准，使用寿命大于50万次。
- ◆标准颜色：金色、银色、古铜色，可根据客户要求定做颜色。
- ◆Distance: 162 x 19mm.
- ◆Hold open or self closing.
- ◆The max width of door is 600-1200mm, suitable for the door weight of 45-60kg.
- ◆The adjustable section of closing speed is 180° - 20°, the adjustable section of locking is 20° - 0°.
- ◆The painting plastic moving arm can protect from eroding. The excellent closing can protect from oil leakage.
- ◆Super aluminum alloy casting machine and the three layers of brightness painting will protect it from oxygenation.
- ◆Two hydraulic pressure valves control two sections of door closing separately the speed of locking have been control by the whole section of hydraulic pressure.
- ◆The high-carbon steel axis and rack work smart and less transfigure after being managed through high channel adjusting.
- ◆Accord with national QB/T 2698-2005 standard, tusefulltime is mors then 500,000 times.
- ◆Standard color: golden silver, copper or other kinds of color onclents requirements.

TB-KM502



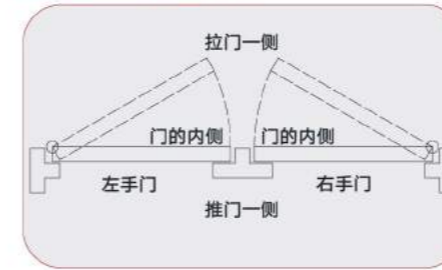
说明

Instruction

- ◆孔距：165×19mm。
- ◆带止动功能（90°定位）及（90°定位）。
- ◆适合门宽600-1200mm，适用门重65-85kg。
- ◆可调速度闭门段180°-20°，可调力度闭锁段20°-0°。
- ◆喷塑摇臂，防止腐蚀，精密油封，防止漏油。
- ◆优质压铸铝合金机体，三层光亮漆保护，防止氧化。
- ◆两个液压阀独立控制两段闭门，闭锁速度，作全段液压控制。
- ◆高碳钢齿轴、齿条，经高频调质处理，变形小，运行灵活。
- ◆符合国家QB/T 2698-2005闭门器作业标准，使用寿命大于50万次。
- ◆标准颜色：金色、银色、古铜色，可根据客户要求定做颜色。
- ◆Distance: 162 x 19mm.
- ◆Hold open or self closing.
- ◆The max width of door is 600-1200mm, suitable for the door weight of 45-60kg.
- ◆The adjustable section of closing speed is 180° - 20°, the adjustable section of locking is 20° - 0°.
- ◆The painting plastic moving arm can protect from eroding. The excellent closing can protect from oil leakage.
- ◆Super aluminum alloy casting machine and the three layers of brightness painting will protect it from oxygenation.
- ◆Two hydraulic pressure valves control two sections of door closing separately the speed of locking have been control by the whole section of hydraulic pressure.
- ◆The high-carbon steel axis and rack work smart and less transfigure after being managed through high channel adjusting.
- ◆Accord with national QB/T 2698-2005 standard, tusefulltime is mors then 500,000 times.
- ◆Standard color: golden silver, copper or other kinds of color onclents requirements.

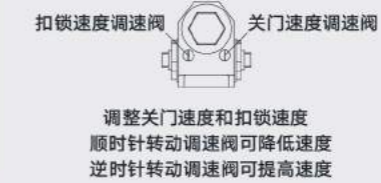
确定的方向

Determine the direction of the



安装后的调整

After the installation and adjustment



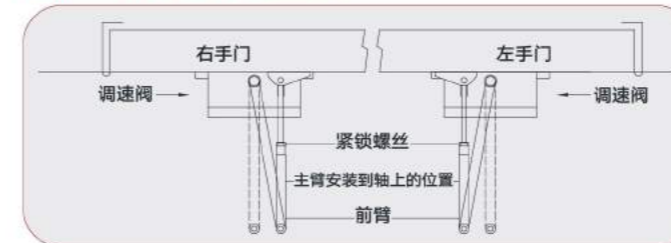
用调整脚调节闭门力

With adjustment to adjust behind closed doors



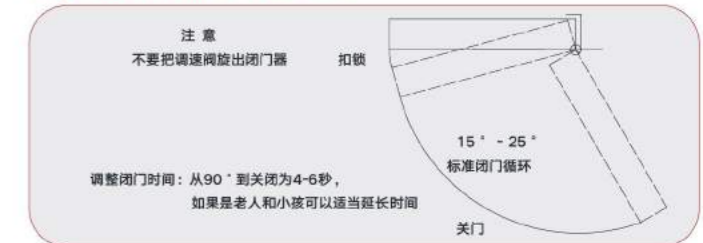
臂的位置和安装

The position of the arm and installation



臂的位置和安装

The position of the arm and installation



安装方式

Installation method

◆拉手侧垂直安装:

- 1.选择开门角度，按照表中所列尺寸或按样板在门框上钻螺孔，装上闭门器。
- 2.将主臂安装在闭门器轴头上。
- 3.装闭门器本体时，调速阀面向铰链。
- 4.将前臂的调整脚装在门框上。
- 5.调整前臂长度，使前臂处与门框垂直的位置上。用垫圈和螺钉连接前臂和主臂。
- 6.将罩子盖在闭门器的底部轴心处。

尺寸 Size				开启角度 Opening angle
A	B	C	D	
125	240	30	19	140° - 160°

◆推门侧垂直安装

- 1.选择开门角度，按照表中所列尺寸或按样板在门框上钻螺孔，装上闭门器。
- 2.将主臂安装在闭门器轴头上。
- 3.装闭门器本体时，调速阀面向铰链。
- 4.将前臂的调整脚装在门框上。
- 5.调整前臂长度，使前臂处与门框垂直的位置上。用垫圈和螺钉连接前臂和主臂。
- 6.将罩子盖在闭门器的底部轴心处。

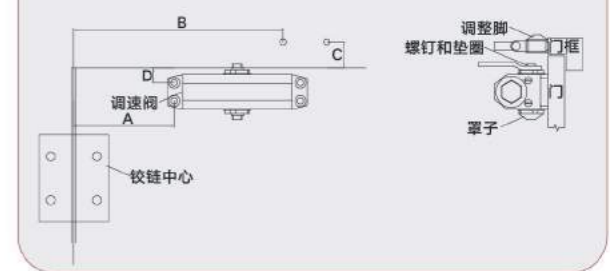
尺寸 Size				开启角度 Opening angle
A	B	C	D	
125	240	30	19	140° - 160°

◆推门侧门平行安装

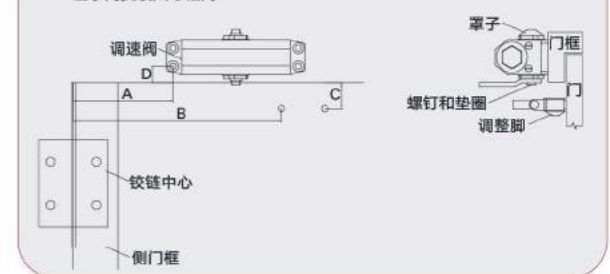
- 1.选择开门角度，按照表中所列尺寸或按样板在门框上钻螺孔，装上闭门器。注意调速阀背向铰链。
- 2.将安装支架装在门框上图示位置。
- 3.将主臂装上轴头，拧紧主臂螺钉。此时主臂对门产生预压力
- 4.将前臂上的支座装在安装支架上。
- 5.调整前臂长度，使前臂处与门框平衡的位置上。用垫圈和螺钉连接前臂和主臂。
- 6.将罩子盖在闭门器的底部轴心处。

尺寸 Size				开启角度 Opening angle
A	B	C	D	
90	72	8	63	140° - 160°

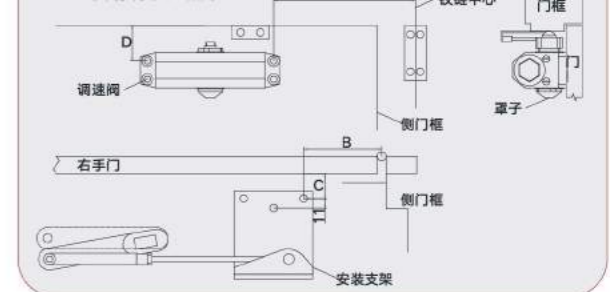
右手门安装图解 左手门安装尺寸相同



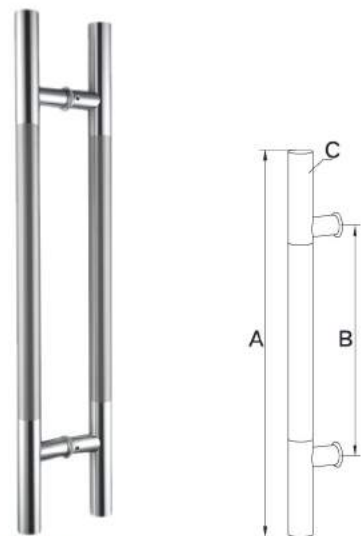
右手门安装图解 左手门安装尺寸相同



右手门安装图解 左手门安装尺寸相同

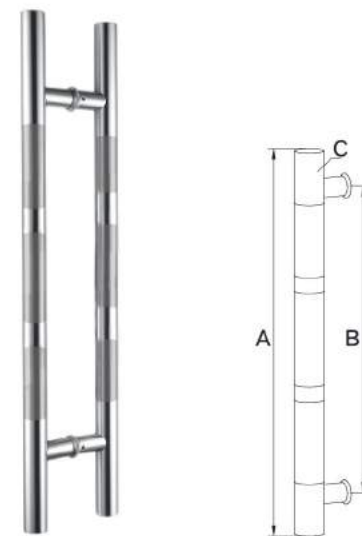


TB-KLS01



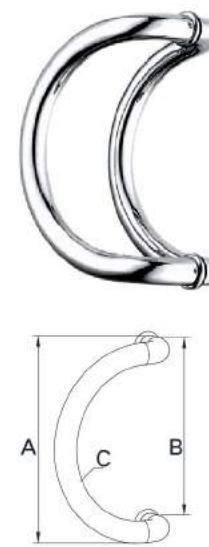
规格 (mm) Size		
A: 总长 Length	B: 螺丝孔距 Hole distance	C: 截面大小 Section size
500	300	Φ32
600	400	Φ38
800	550	Φ38
1200	900	Φ38
1800	1400	Φ38

TB-KLS02



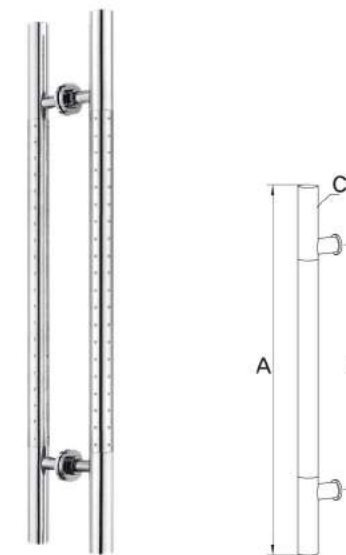
规格 (mm) Size		
A: 总长 Length	B: 螺丝孔距 Hole distance	C: 截面大小 Section size
500	400	Φ38
600	400	Φ38
800	550	Φ38
1200	900	Φ38

TB-KLS05



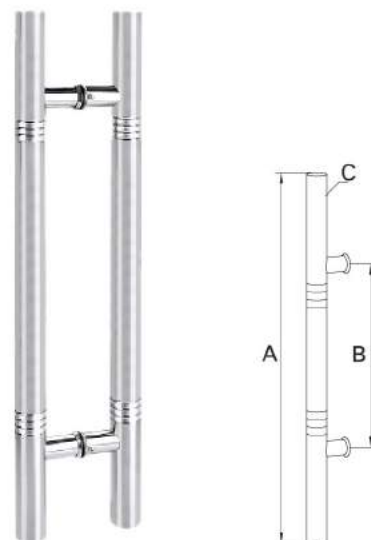
规格 (mm) Size		
A: 总长 Length	B: 螺丝孔距 Hole distance	C: 截面大小 Section size
230	205	Φ25
332	300	Φ32

TB-KLS06



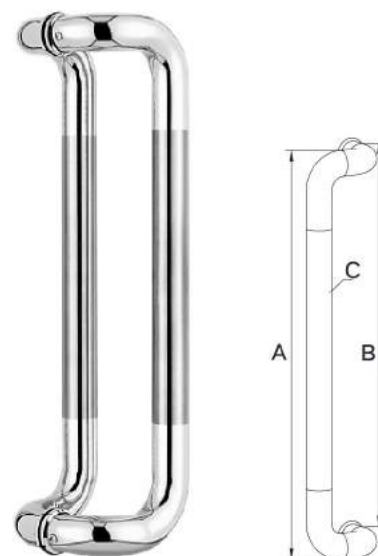
规格 (mm) Size		
A: 总长 Length	B: 螺丝孔距 Hole distance	C: 截面大小 Section size
600	400	Φ38
800	600	Φ38
1200	900	Φ38

TB-KLS03



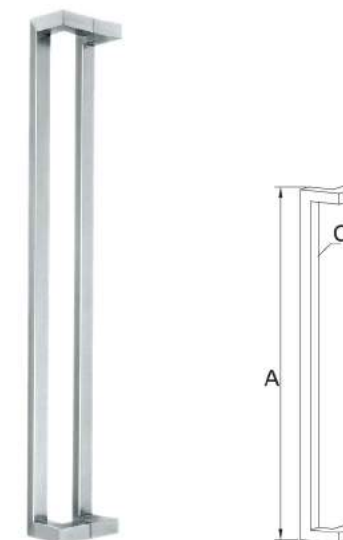
规格 (mm) Size		
A: 总长 Length	B: 螺丝孔距 Hole distance	C: 截面大小 Section size
600	400	Φ38
800	550	Φ38

TB-KLS04



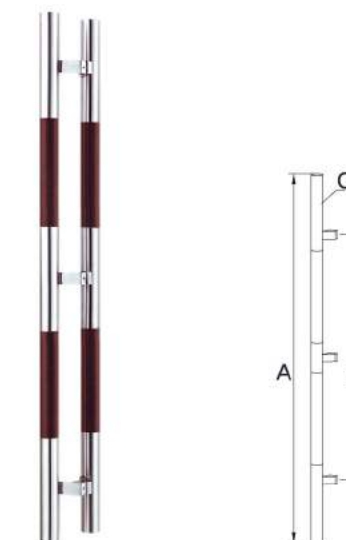
规格 (mm) Size		
A: 总长 Length	B: 螺丝孔距 Hole distance	C: 截面大小 Section size
400	375	Φ25
500	460	Φ32
600	560	Φ38
800	760	Φ38

TB-KLS07



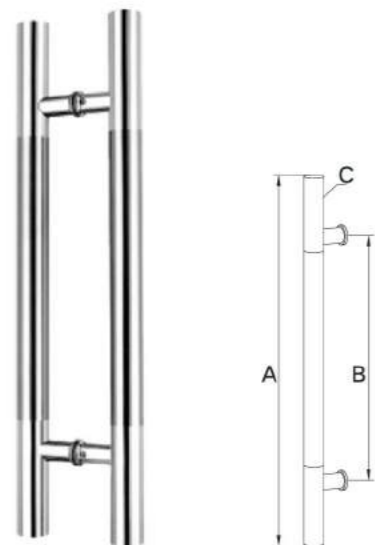
规格 (mm) Size		
A: 总长 Length	B: 螺丝孔距 Hole distance	C: 截面大小 Section size
800	775	25×38
1200	1175	25×38
1800	1775	25×38

TB-KLS08



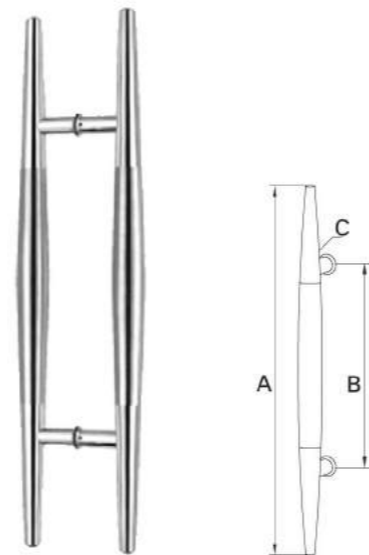
规格 (mm) Size		
A: 总长 Length	B: 螺丝孔距 Hole distance	C: 截面大小 Section size
1200	900	Φ38

TB-KLS09



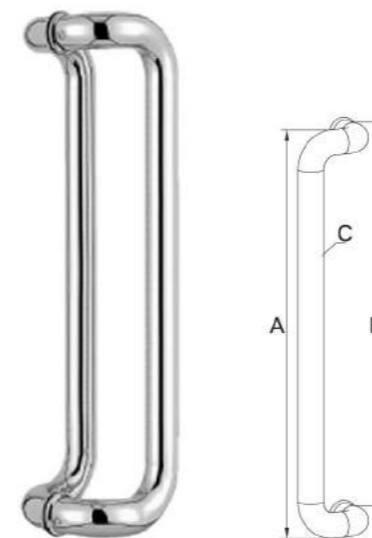
规格 (mm) Size		
A: 总长 Length	B: 螺丝孔距 Hole distance	C: 截面大小 Section size
600	400	Φ38
800	600	Φ38
1200	800	Φ38

TB-KLS10



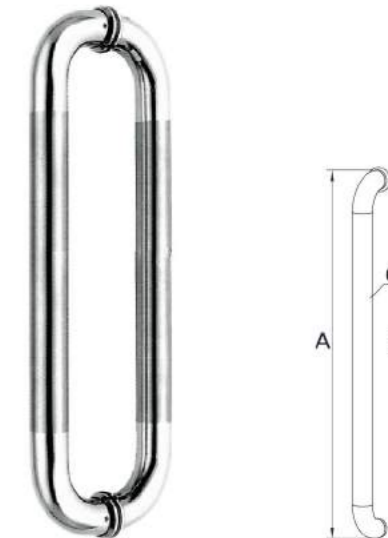
规格 (mm) Size		
A: 总长 Length	B: 螺丝孔距 Hole distance	C: 截面大小 Section size
350	200	Φ25
600	330	Φ38

TB-KLS13



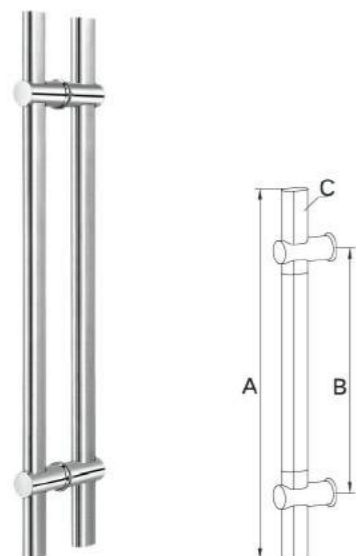
规格 (mm) Size		
A: 总长 Length	B: 螺丝孔距 Hole distance	C: 截面大小 Section size
450	418	Φ32
600	568	Φ32

TB-KLS14



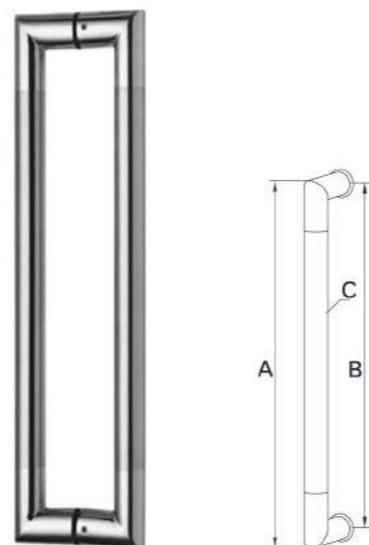
规格 (mm) Size		
A: 总长 Length	B: 螺丝孔距 Hole distance	C: 截面大小 Section size
600	568	Φ32
800	762	Φ38

TB-KLS11



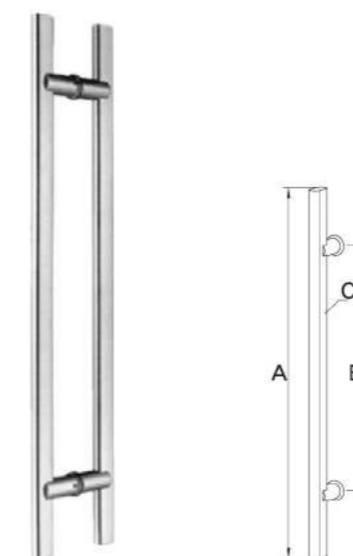
规格 (mm) Size		
A: 总长 Length	B: 螺丝孔距 Hole distance	C: 截面大小 Section size
600	400	Φ45 × 25
800	600	Φ45 × 25
1000	800	Φ45 × 25
1200	900	Φ45 × 25

TB-KLS12



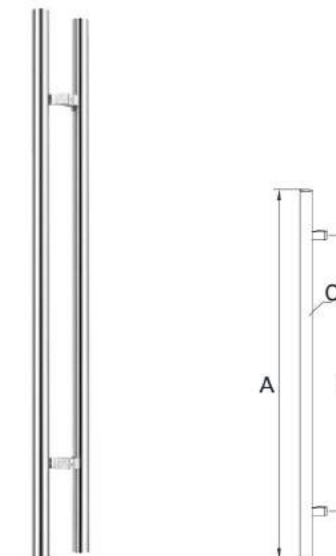
规格 (mm) Size		
A: 总长 Length	B: 螺丝孔距 Hole distance	C: 截面大小 Section size
600	562	Φ38
800	762	Φ38

TB-KLS16



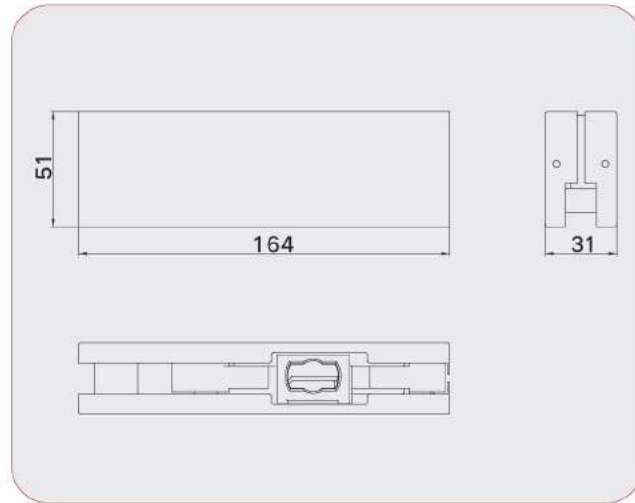
规格 (mm) Size		
A: 总长 Length	B: 螺丝孔距 Hole distance	C: 截面大小 Section size
600	400	19 × 38
800	600	19 × 38

TB-KLS17



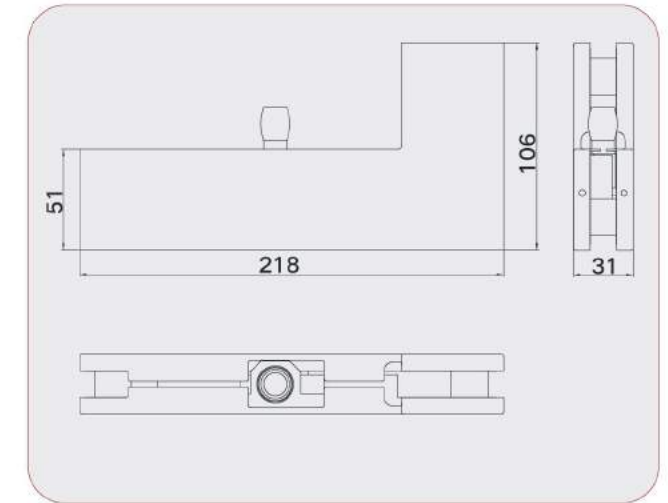
规格 (mm) Size		
A: 总长 Length	B: 螺丝孔距 Hole distance	C: 截面大小 Section size
1200	900	Φ38
1500	1100	Φ38

TB-KMJ10



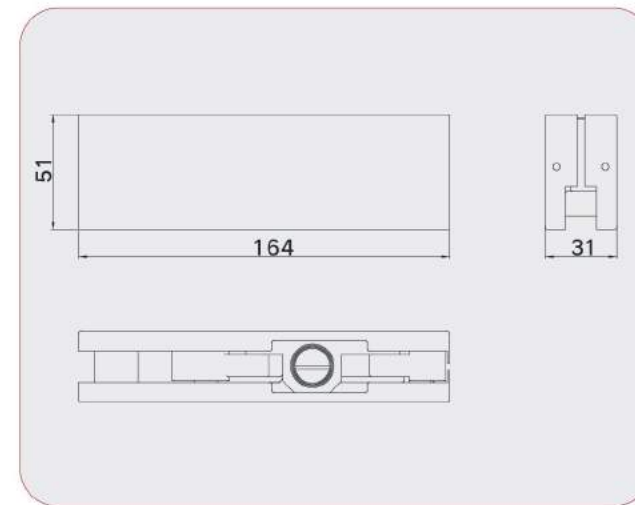
- ◆ 适用门厚10~12mm。
- ◆ 表面处理：亮光/砂光/钛金
- ◆ Door thickness:10~12mm.
- ◆ Finish:Polished/Satin/Titanium.

TB-KMJ40



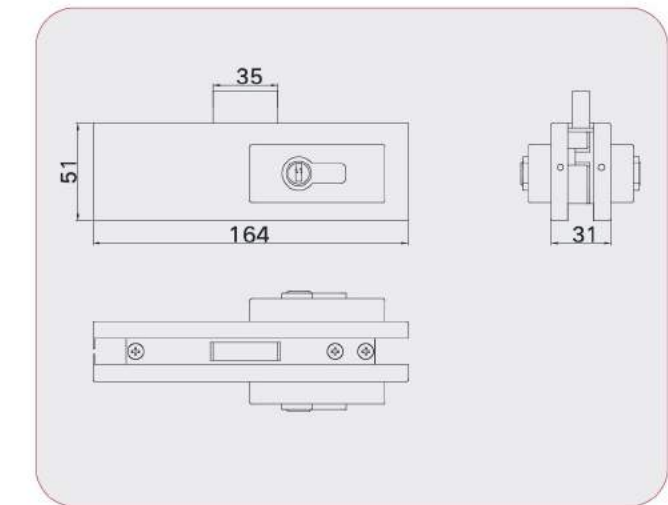
- ◆ 适用门厚10~12mm。
- ◆ 表面处理：亮光/砂光/钛金
- ◆ Door thickness:10~12mm.
- ◆ Finish:Polished/Satin/Titanium.

TB-KMJ20



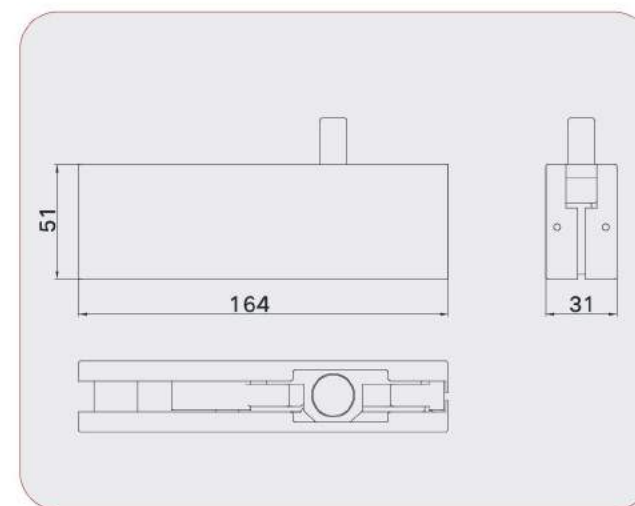
- ◆ 适用门厚10~12mm。
- ◆ 表面处理：亮光/砂光/钛金
- ◆ Door thickness:10~12mm.
- ◆ Finish:Polished/Satin/Titanium.

TB-KMJ50



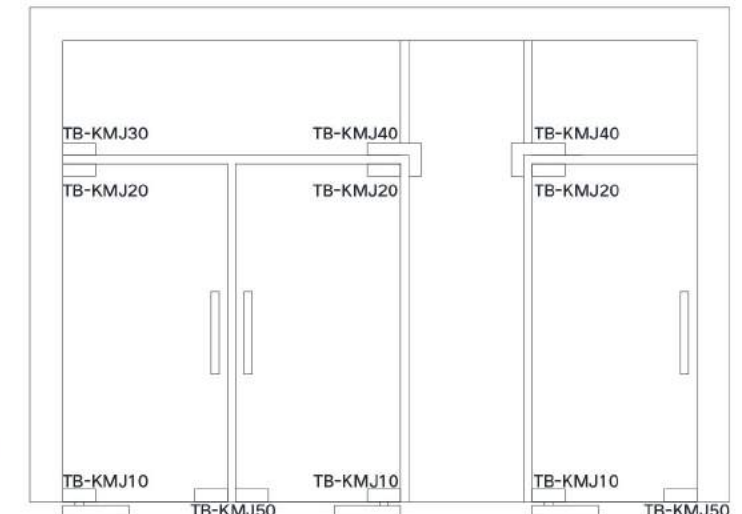
- ◆ 适用门厚10~12mm。
- ◆ 表面处理：亮光/砂光/钛金
- ◆ Door thickness:10~12mm.
- ◆ Finish:Polished/Satin/Titanium.

TB-KMJ30



- ◆ 适用门厚10~12mm。
- ◆ 表面处理：亮光/砂光/钛金
- ◆ Door thickness:10~12mm.
- ◆ Finish:Polished/Satin/Titanium.

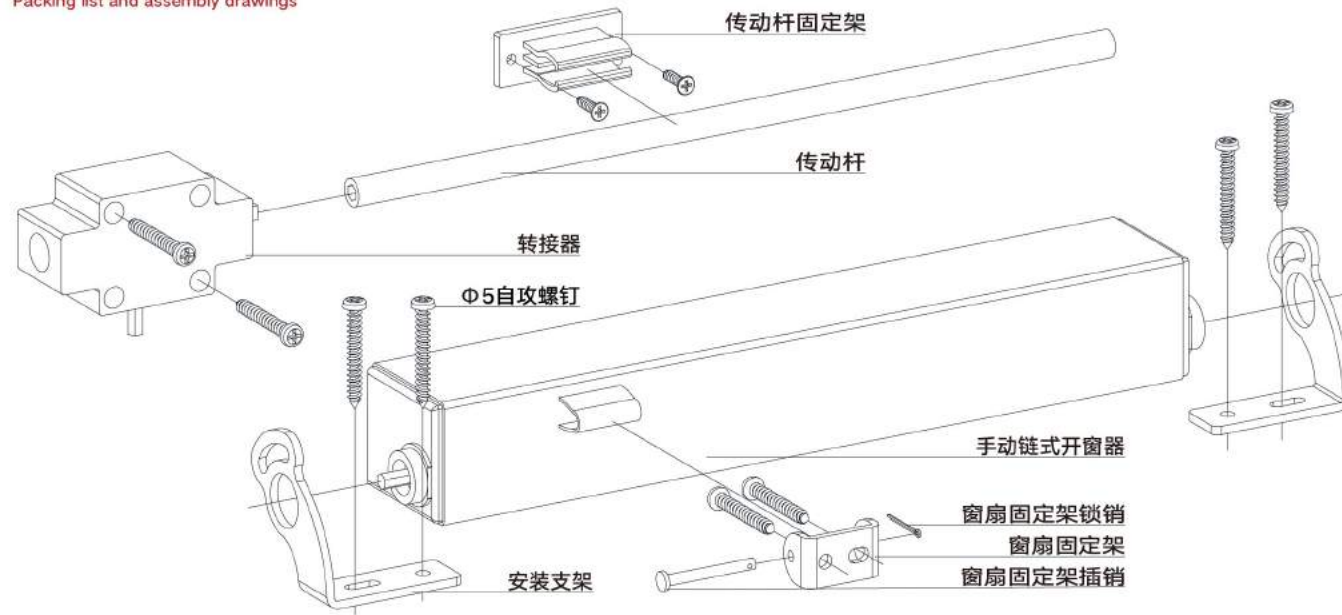
- ◆ 注意：玻璃门必须钢化。
- ◆ 材质：采用高强度铝合金/铸铁/钢板/原材料生产。
- ◆ 配备多种规格的不锈钢精铸轴头，除与自身品牌的精密配合外，还可与其他不同品牌配合使用。
- ◆ 安装玻璃门前，要检查门窗扇是否平整，预留孔眼是否齐全、准确，如果不符合要求的就应该先校正。
- ◆ Note: The glass door must be toughened.
- ◆ Material: Made of high-strength aluminum alloy/cast iron/steel plate/raw materials.
- ◆ Equipped with a variety of specifications of stainless steel precision casting shaft head, in addition to the precise cooperation with its own brand, it can also be used in conjunction with other different brands.
- ◆ Before installing the glass door, check whether the door and window sash is flat and whether the reserved holes are complete and accurate. If it does not meet the requirements, it should be corrected first.



TB-KCQ02
手摇链盒式开窗器
Hand chain box type window opener



装箱清单及装配图
Packing list and assembly drawings



开窗器的外形及说明
Shape and description of window opener

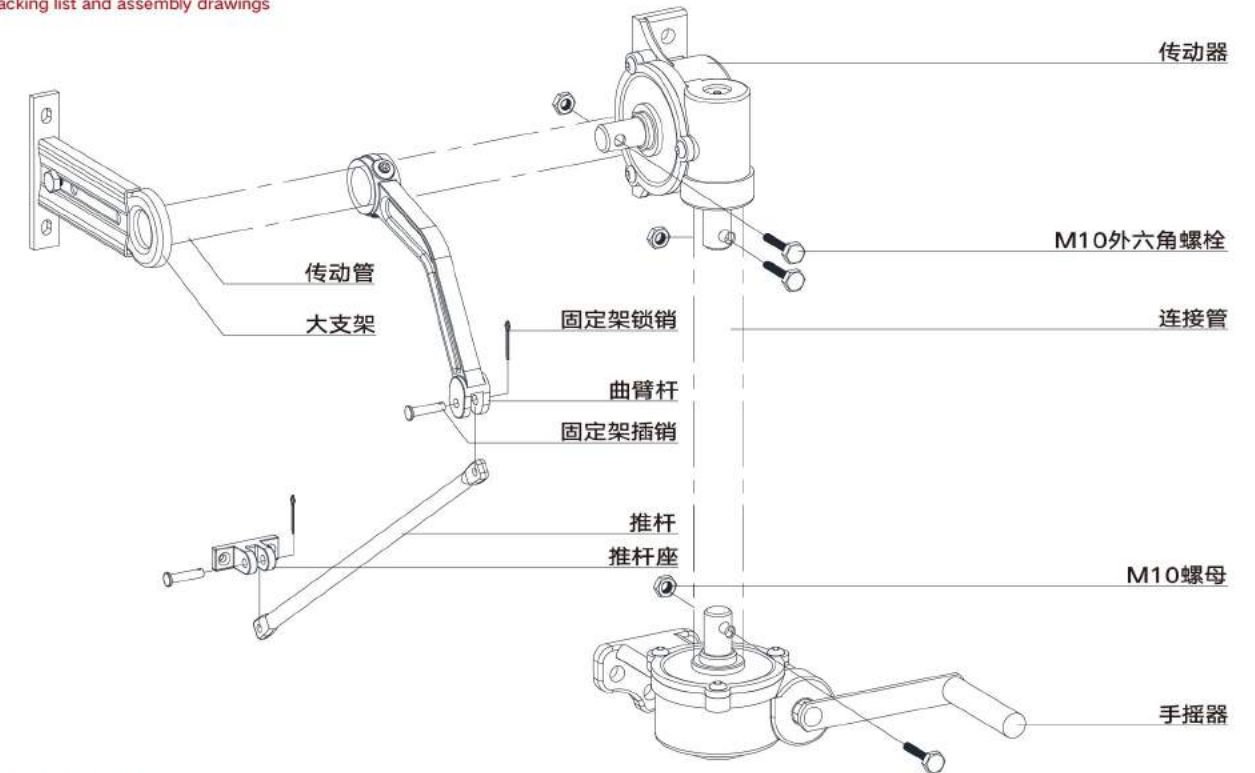


- ◆ 可单独开或双开，最大推拉力300N，静止状态锁紧力2000N，开启行程：250~380mm。
- ◆ 多控多摇式开启窗框的宽度最多不能超过4米，开启扇宽度最好在0.8米以内，加宽窗扇需采用双链盒式开启。
- ◆ 该系统价格低廉，经济实用可适用大型会堂、场馆、厂房、仓库等窗。
- ◆ It can be opened individually or in double. The maximum push-pull force is 300N, the locking force at rest is 2000N, and the opening stroke: 250~380mm.
- ◆ The width of the window frame of the multi-control and multi-swing opening window cannot exceed 4 meters at most, and the width of the opening sash is preferably within 0.8 meters. The widened sash needs to be opened in a double chain box.
- ◆ The system is low in price, economical and practical, and can be applied to large-scale halls, venues, factories, warehouses and other windows.

TB-KCQ04
手摇曲臂式开窗器
Hand crank arm window opener



装箱清单及装配图
Packing list and assembly drawings

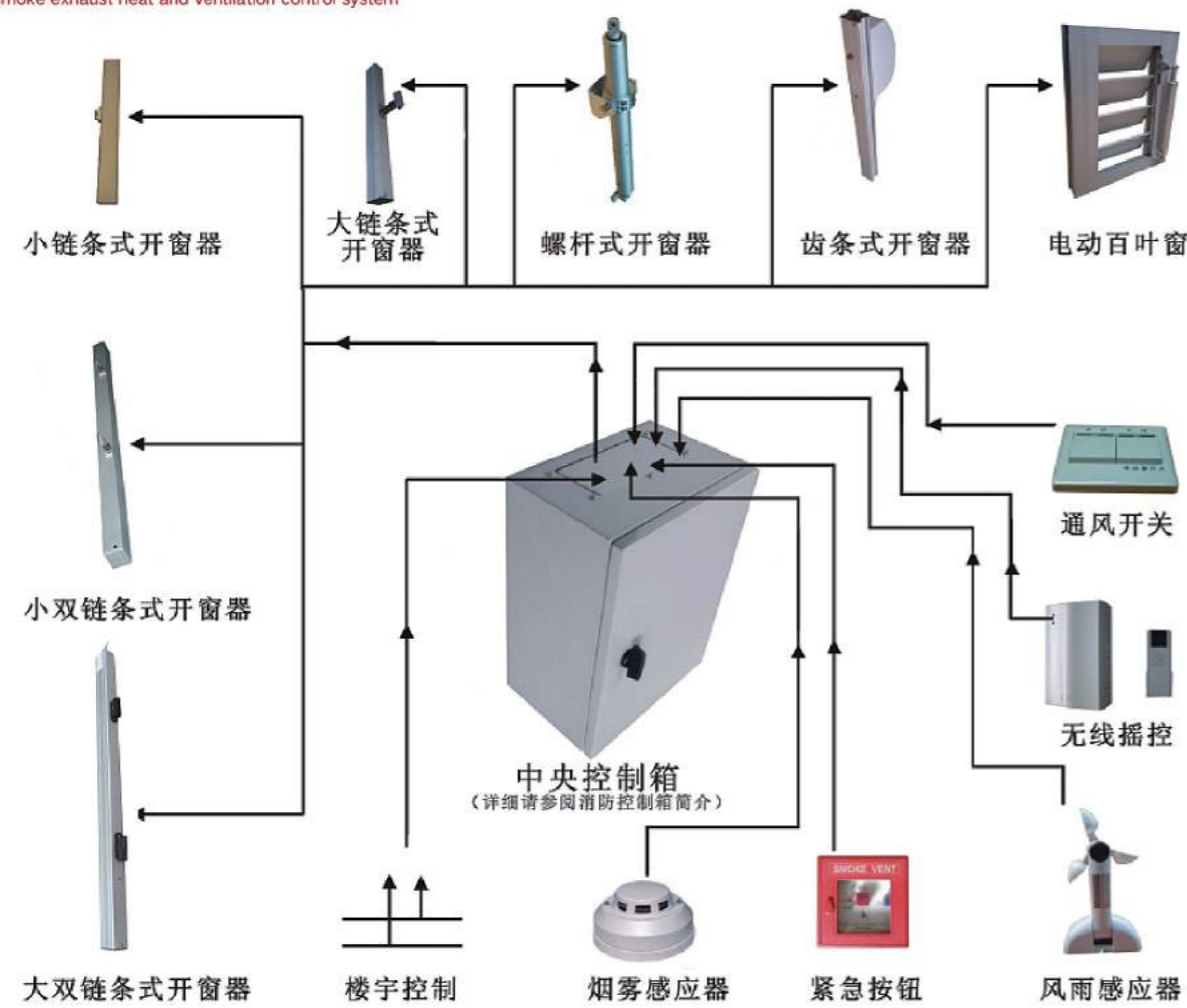


开窗器的说明
Description of window opener

- ◆ 手摇控制开窗系统具有价格低廉，经济实用的特点。
- ◆ 可单独或连接多个曲臂连杆机构来控制多扇窗户优美的造型设计隐藏的安装方式。
- ◆ 手摇器采用独特的力学原理，可轻松开启。手摇多控系开启系统适用于上悬、中悬的操作高窗、排窗。
- ◆ 特别适用于大型会堂场馆，现代化厂房、仓库等窗的开启与关闭。
- ◆ The hand-controlled window opening system has the characteristics of low price, economy and practicality.
- ◆ It can be individually or connected with multiple crank arm linkage mechanisms to control the installation mode hidden by the beautiful design of multiple windows.
- ◆ The hand crank uses a unique mechanics principle and can be opened easily. The hand-cranked multi-control opening system is suitable for operating high windows and row windows with top and middle suspensions.
- ◆ It is especially suitable for opening and closing windows in large halls, modern factories, warehouses, etc.

电动排烟排热及通风控制系统

Electric smoke exhaust heat and ventilation control system



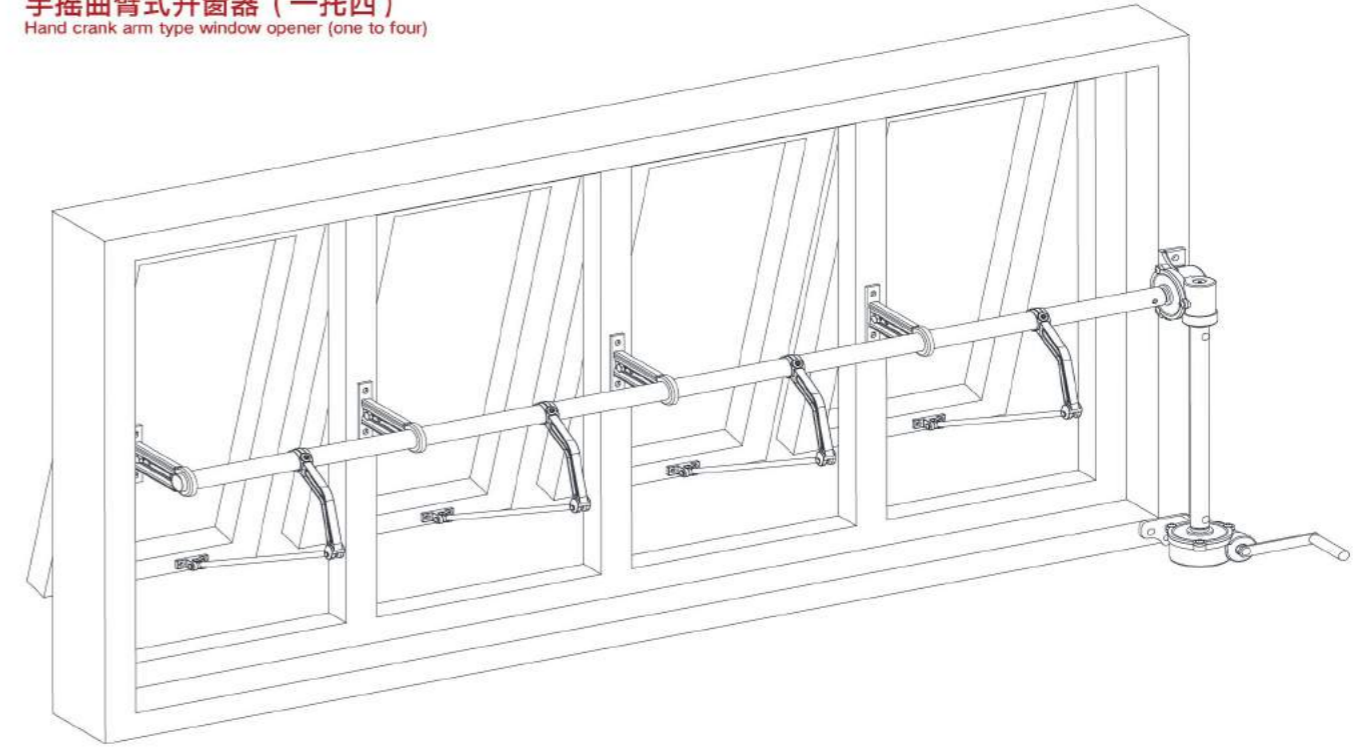
消防控制箱说明

Fire control box

- ◆ 消防主控制箱型号: FLC。
- ◆ 输入电上220VAC/50HZ, 输出电压24VDC (可选择输出220VAC)。
- ◆ 风雨感功能: 如果主控制箱接有风雨感应器, 当有降雨或有强风时风雨感会发出信号, 主控制箱接收此信号后会自动关闭所有窗户, 此时通风开关无效, 信号解除10-15分钟后通风开关功能板。
- ◆ 紧急开窗功能: 如果控制箱接有紧急按钮或与消防联动, 当有火警发出或按动紧急按钮时, 控制箱会自动开窗, 此时通风开、风雨感和其它智能控制器无效, 直至警报解除。
- ◆ 其它智能控制箱如温感器, 时间控制器, 当达到控制器设定值时控制箱会自动开窗或关窗。
- ◆ 后备电源: 控制箱内有蓄电池, 当外接电源断电时控制箱可由电池供电, 可保证控制箱在72小时内正常工作一次, 保证了消防排烟窗系统的可靠性。
- ◆ Fire main control box model: FLC.
- ◆ The input power is 220VAC/50Hz, and the output voltage is 24VDC (optional output 220VAC).
- ◆ Wind and rain sense function: If the main control box is connected with a wind and rain sensor, when there is rain or strong wind, the wind and rain sense will send out a signal, and the main control box will automatically close all windows after receiving this signal. At this time, the ventilation switch is invalid, and the ventilation switch function board is 10-15 minutes after the signal is released.
- ◆ Emergency window opening function: If the control box is connected with an emergency button or linked with fire protection, when a fire alarm is issued or the emergency button is pressed, the control box will automatically open the window. At this time, the ventilation will open and the wind and rain will feel. And other intelligent controllers are invalid until the alarm is removed.
- ◆ Other intelligent control boxes such as temperature sensors, time controllers, the control box will automatically open or close the window when the set value of the controller is reached.
- ◆ Back-up power supply: There is a battery in the control box. When the external power supply is cut off, the control box can be powered by the battery, which can ensure that the control box works normally once within 72 hours, ensuring the fire smoke exhaust window system's reliability.
- ◆ 扩展控制箱型号: FLC-12A、FLC-24A、FLC-36A、FLC-48A。
- ◆ 输入电压220VAC/50HZ, 输出电压24VDC (可选择输出220VAC)。
- ◆ 功能: 变压功能, 自检功能, 接有后备电源, 增大系统容量, 可接通风开关, 分两路输出接开窗器 (按额定电流输出接入开窗器), 使系统可控制更多数量的开窗器。
- ◆ 后备电源: 控制箱内有蓄电池, 当外接电源断电时控制箱由电池供电, 保证控制箱在72小时内正常工作一次, 保证消防排烟系统的可靠性。
- ◆ Extended control box models: FLC-12A, FLC-24A, FLC-36A, FLC-48A.
- ◆ Input voltage 220VAC/50Hz, output voltage 24VDC (optional output 220VAC).
- ◆ Function: pressure change function, self-check function, backup power supply, increase system capacity, can be connected to a ventilation switch, divided into two outputs to connect the window opener (assisted the window opener according to the rated current output). The system can control a larger number of window drives.
- ◆ Back-up power supply: There is a battery in the control box. When the external power supply is cut off, the control box is powered by the battery to ensure that the control box works normally once within 72 hours to ensure the reliability of the fire smoke exhaust system.

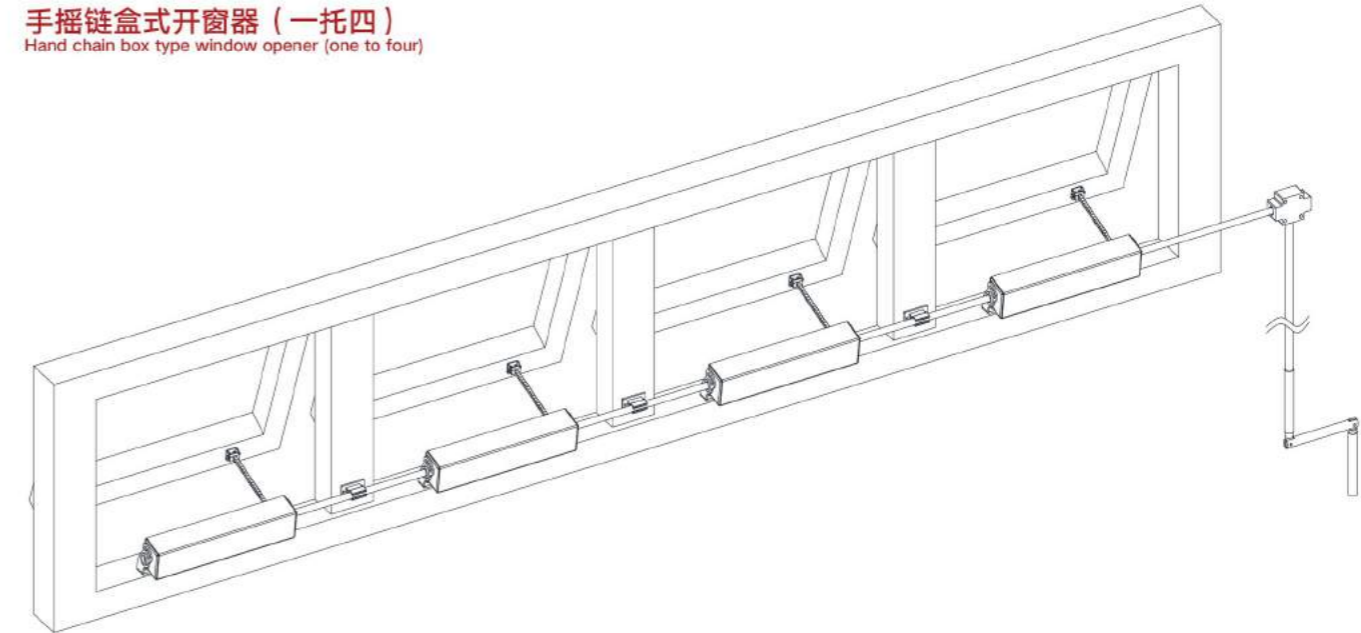
手摇曲臂式开窗器 (一托四)

Hand crank arm type window opener (one to four)



手摇链盒式开窗器 (一托四)

Hand chain box type window opener (one to four)



手摇开窗器安装技术要求

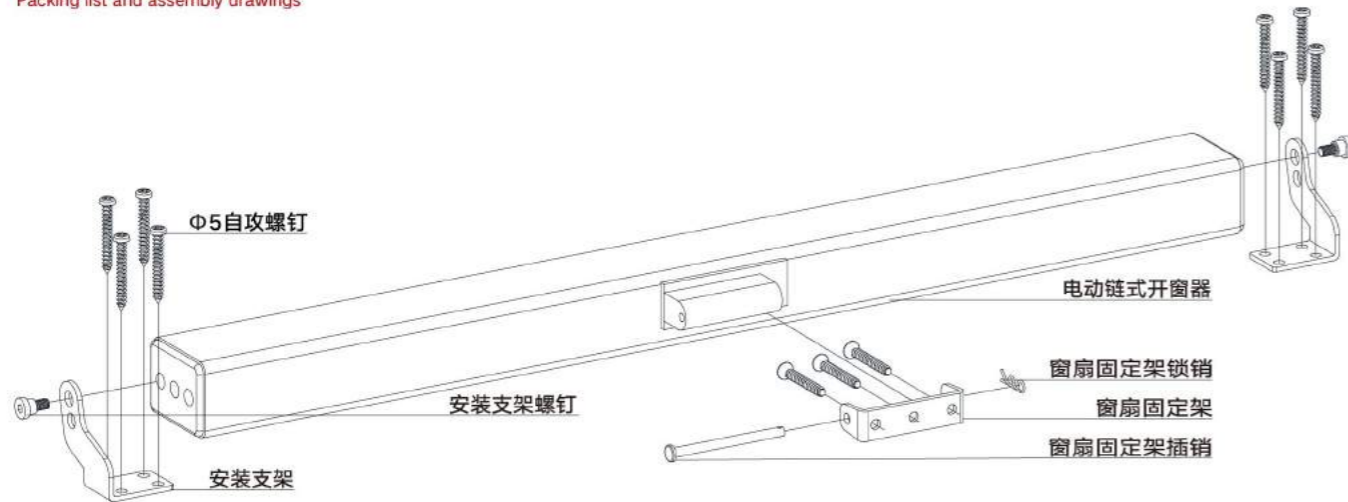
Installation technical requirements for hand-operated window openers

- ◆ 天窗一般要选用齿条式开窗器和推轴式开窗器, 立面窗则一般选用链条式开窗器。
- ◆ 开窗器安装前检测窗户开启行程是否大于开窗器的开启行程, 窗户开启是否正常。
- ◆ 安装窗扇固定座 (推杆座) 的时候, 确保座的中心与窗扇的中心保持重合。
- ◆ 开窗器在开启过程中, 开窗器主体可能会随安装支架摆动, 此时开窗器主体不能与窗框或其它结构件接触。
- ◆ For skylights, rack-type window openers and push-axis window openers are generally used, and for facade windows, chain-type window openers are generally used.
- ◆ Before installing the window opener, check whether the window opening stroke is greater than the opening stroke of the window opener, and whether the window opens normally.
- ◆ When installing the sash fixing seat (push rod seat), make sure that the center of the seat and the center of the sash keep coincide.
- ◆ During the opening process of the window opener, the main body of the opener may swing with the mounting bracket. At this time, the main body of the opener cannot contact the window frame or other structural parts.

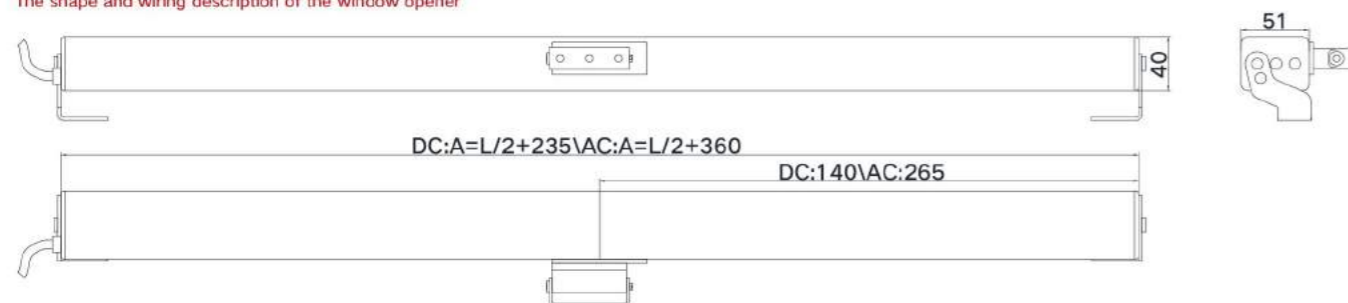
TB-KCQ11
电动小链式开窗器



装箱清单及装配图
Packing list and assembly drawings



开窗器的外形及接线说明
The shape and wiring description of the window opener

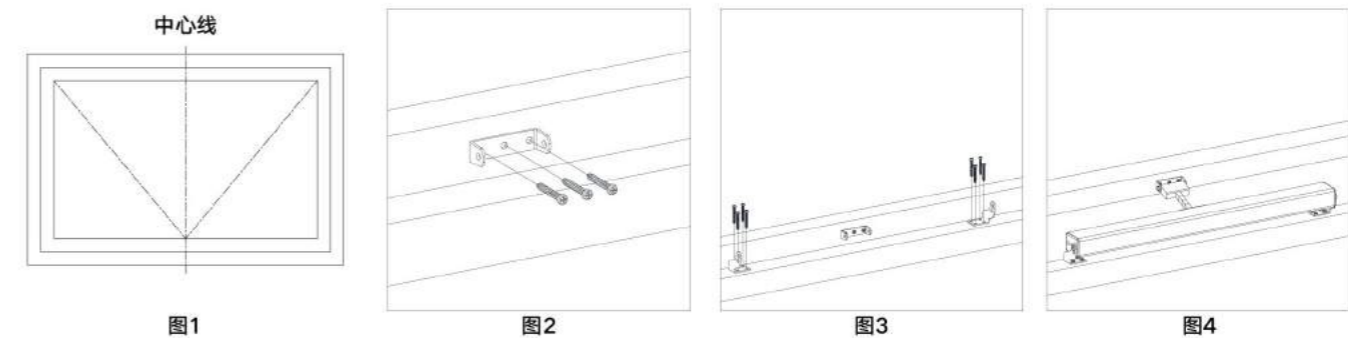


接线方案 Wiring scheme	直流DC24VA 开 关		交流AC230VA 开 关		开启行程L (mm) Opening stroke	DC24VA (mm)	AC230VA (mm)
棕色	+	-	LA		200	335	460
黑色			LA		300	385	510
蓝色	-	+	N	N	350	410	535
黄绿色					400	435	560

规格型号及参数
Specifications and parameters

型 号 Model	TB-KCQ01-DC24V	TB-KCQ01-AC230V
拉力/推力 (N) Pull/Thrust	250	250
最大工作电流 (A) Maximum working current	0.6	0.15
行程距离 (mm) Travel distance	50~400	50~400
推动速度 (mm/src) Push distance	~10	~10
工作电压 (V) Operating Voltage	DC24V ± 10%	AC230V ± 10%
环境温度 (°C) Ambient temperature	-20~+75	-20~+75
防护等级 Protection level	32	32

- ◆ 适用于上、中、下悬窗、外倒窗、内倒窗、外平开窗、天窗等各种窗型。
- ◆ 有多种支架可供选择，以满足不同的安装需求。
- ◆ 行程、推拉力、表面颜色可根据客户的需求来定制，可选配不锈钢链条。
- ◆ 开窗器内置电子装置，利用微电脑芯片 (MCU) 来控制，具有遇障碍物过载保护的功能。
- ◆ Applicable to various window types such as upper, middle and lower hanging windows, outer inverted windows, inner inverted windows, outer casement windows, skylights, etc.
- ◆ There are a variety of brackets to choose from to meet different installation needs.
- ◆ Stroke, push-pull force, and surface color can be customized according to customer needs, and stainless steel chain is optional.
- ◆ The window opener has a built-in electronic device, which is controlled by a microcomputer chip (MCU), and has the function of overload protection when encountering obstacles.



安装步骤
Installation steps

- ◆ 确定窗户开启扇的中心线，如图1。
- ◆ 使窗户开启扇的中心线与链条固定架的中心线重合，保证链条收回时窗户关紧状态，用Φ5×25mm盘头自攻螺钉固定，如图2。
- ◆ 根据链条固定架的位置确定出安装支架的位置，链条与开窗器要保持垂直，每个安装支架分别用Φ5×25mm盘头自攻螺钉固定，如图3。
- ◆ 将开窗器放在两个安装支架中间，两端用六角螺钉固定，将链条前端固定块放入链条固定架中间，将窗扇固定架插销和锁销插入，如图4。
- ◆ Determine the center line of the window opening fan, as shown in Figure 1.
- ◆ Make the center line of the window opening fan coincide with the center line of the chain fixing frame to ensure that the window is closed tightly when the chain is retracted into the window opener. Fix it with a Φ5×25mm pan head tapping screw, as shown in Figure 2.
- ◆ Determine the position of the mounting bracket according to the position of the chain fixing frame. The chain and the window opener should be kept vertical. Each mounting bracket is fixed with Φ5×25mm pan head tapping screws, as shown in Figure 3.
- ◆ Place the window opener between the two mounting brackets, fix both ends with hexagonal screws, put the front end of the chain into the middle of the chain fixing frame, and insert the window sash fixing frame plug, as shown in Figure 4.

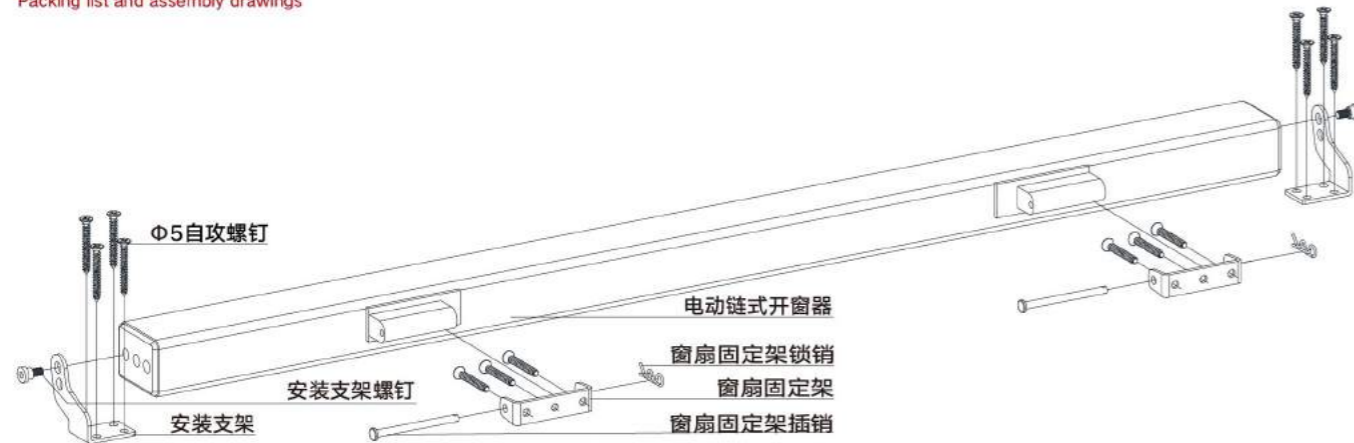
安装实例
Sample



TB-KCQ12
电动双链式开窗器



装箱清单及装配图
Packing list and assembly drawings



开窗器的外形及接线说明
The shape and wiring description of the window opener

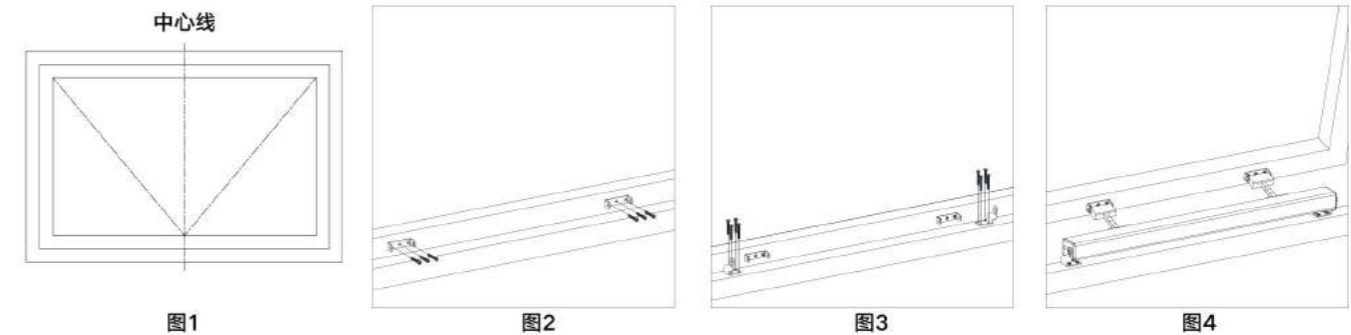


接线方案 Wiring scheme	直流DC24VA 开 关		交流AC230VA 开 关		开启行程L (mm) Opening stroke	DC24VA (mm)	AC230VA (mm)
棕色	+	-	LA		200	781	901
黑色			LA		300	881	1001
蓝色	-	+	N N		350	931	1051
黄绿色			⊕		400	981	1101
					500	1081	1201

规格型号及参数
Specifications and parameters

型号 Model	TB-KCQ02-DC24V	TB-KCQ02-AC230V
拉力/推力 (N) Pull/Thrust	600/800	600/800
最大工作电流 (A) Maximum working current	1.6/2.0	0.18/0.2
行程距离 (mm) Travel distance	50~800	50~800
推动速度 (mm/src) Push distance	~10	~10
工作电压 (V) Operating Voltage	DC24V ± 10%	AC230V ± 10%
环境温度 (°C) Ambient temperature	-20~+75	-20~+75
防护等级 Protection level	32	32

- ◆ 适用于上、中、下悬窗、外倒窗、内倒窗、外平开窗、天窗等各种窗型。
- ◆ 有多种支架可供选择，以满足不同的安装需求。
- ◆ 行程、推拉力、表面颜色可根据客户的需求来定制。
- ◆ 开窗器内置电子装置，利用微电脑芯片 (MCU) 来控制，具有遇障碍物过载保护的功能。
- It is suitable for various window types such as upper, middle and lower hanging windows, outer inverted windows, inner inverted windows, outer casement windows, skylights, etc.
- There are a variety of brackets to choose from to meet different installation needs.
- The stroke, push-pull force and surface color can be customized according to customer needs.
- The window opener has a built-in electronic device, which is controlled by a microcomputer chip (MCU), and has the function of overload protection when encountering obstacles.



安装步骤
Installation steps

- ◆ 确定窗户开启扇的中心线，如图1。
- ◆ 使窗户开启扇的中心线与两链条固定架的中心线相重合，链条收回到开窗器内时窗户关紧状态，用Φ5×25mm盘头自攻螺钉固定，如图2。
- ◆ 根据链条固定架的位置确定出安装支架的位置，链条与开窗器要保持垂直，每个安装支架分别用Φ5×25mm盘头自攻螺钉固定，如图3。
- ◆ 将开窗器放在两个安装支架中间，两端用六角螺钉固定，将链条前端固定块放入链条固定架中间，将链条固定架插销插入，如图4。
- Determine the center line of the window opening fan, as shown in Figure 1.
- Make the center line of the window opening fan coincide with the center line of the two chain fixing frames. When the chain is retracted into the window opener, the window is closed and fixed with Φ5×25mm pan head tapping screws, as shown in Figure 2.
- Determine the position of the mounting bracket according to the position of the chain fixing frame. The chain and the window opener should be kept vertical. Each mounting bracket is fixed with Φ5×25mm pan head tapping screws, as shown in Figure 3.
- Place the window opener between the two mounting brackets, fix both ends with hexagonal screws, put the front end of the chain into the middle of the chain fixing frame, and insert the chain fixing frame pin, as shown in Figure 4.

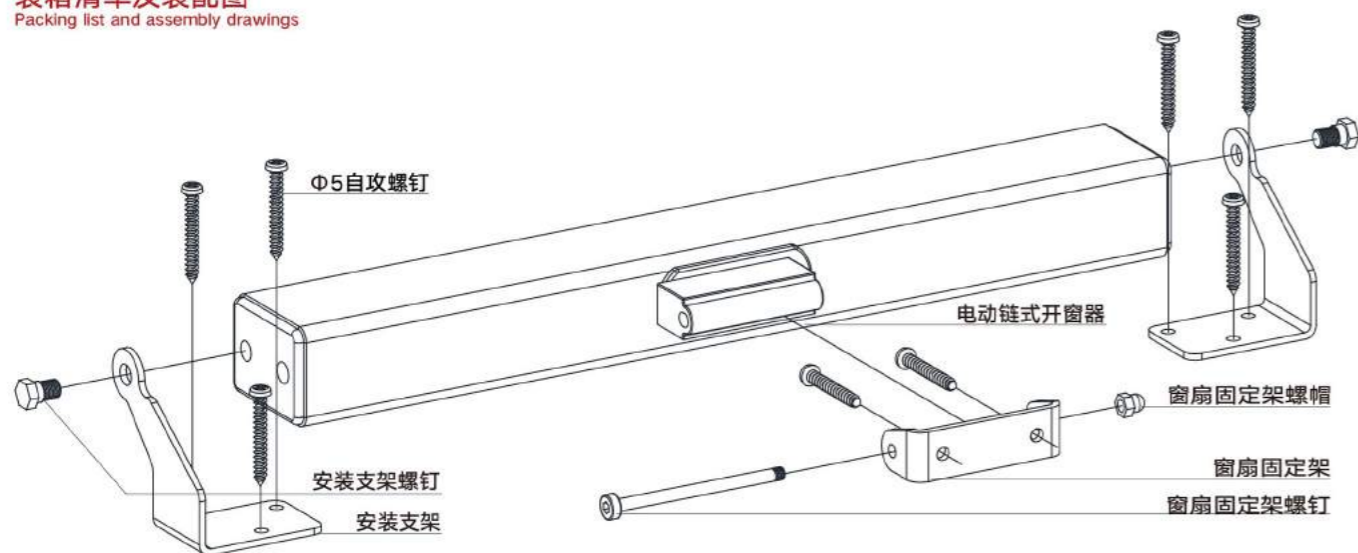
安装实例
Sample



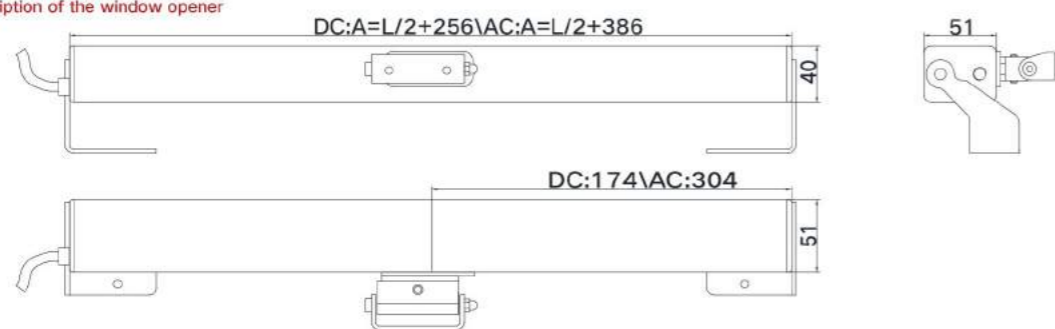
TB-KCQ13
电动大链式开窗器



装箱清单及装配图
Packing list and assembly drawings



开窗器的外形及接线说明
The shape and wiring description of the window opener

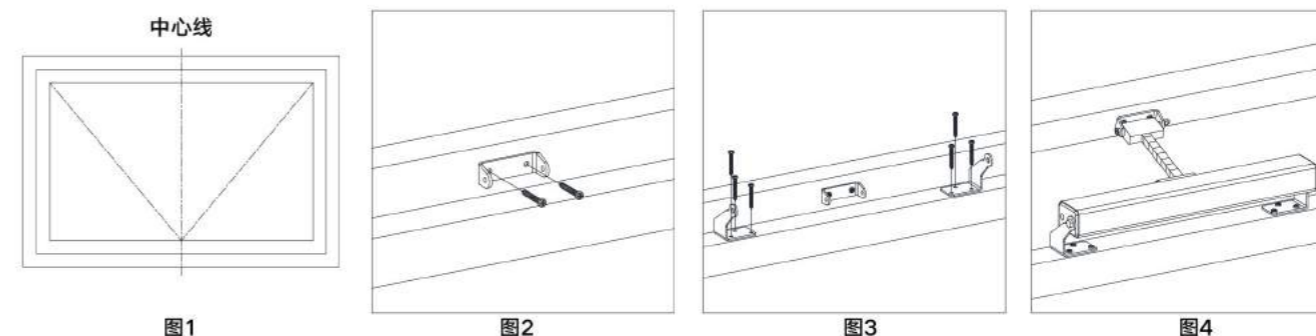


接线方案 Wiring scheme	直流DC24VA		交流AC230VA		开启行程L (mm) Opening stroke	DC24VA (mm)	AC230VA (mm)
	开	关	开	关			
棕色	+	-	LA		200	335	460
黑色			LA		300	385	510
蓝色	-	+	N	N	350	410	535
黄绿色					400	435	560
					500	506	636

规格型号及参数
Specifications and parameters

型号 Model	TB-KCQ03-DC24V	TB-KCQ03-AC230V
拉力/推力 (N) Pull/Thrust	400/600	400/600
最大工作电流 (A) Maximum working current	1.0/1.2	0.15/0.18
行程距离 (mm) Travel distance	50~800	50~800
推动速度 (mm/src) Push distance	~10	~10
工作电压 (V) Operating Voltage	DC24V ± 10%	AC230V ± 10%
环境温度 (°C) Ambient temperature	-20~+75	-20~+75
防护等级 Protection level	32	32

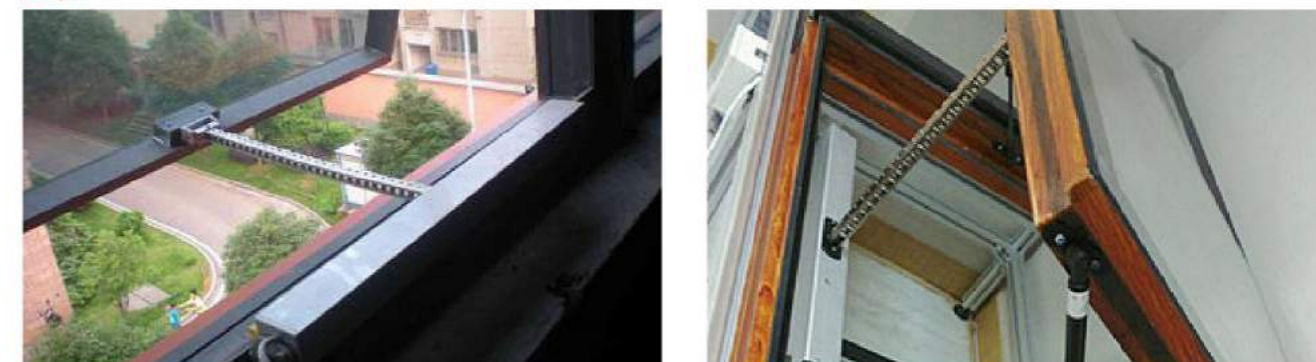
- ◆ 适用于上、中、下悬窗、外倒窗、内倒窗、外平开窗、天窗等各种窗型。
- ◆ 有多种支架可供选择，以满足不同的安装需求。
- ◆ 行程、推拉力、表面颜色可根据客户的需求来定制。
- ◆ Applicable to various window types such as upper, middle and lower hanging windows, outer inverted windows, inner inverted windows, outer casement windows, skylights, etc.
- ◆ There are a variety of brackets to choose from to meet different installation needs.
- ◆ The stroke, push-pull force and surface color can be customized according to customer needs.



安装步骤
Installation steps

- ◆ 确定窗户开启扇的中心线，如图1。
- ◆ 使窗户开启扇的中心线与链条固定架的中心线相重合，兼顾链条收回到开窗器内时窗户关紧状态，用Φ5×25mm圆头自攻螺钉固定，如图2。
- ◆ 根据链条固定架的位置确定出安装支架的位置，链条与开窗器要保持垂直，每个安装支架分别用Φ5×25mm圆头自攻螺钉固定，如图3。
- ◆ 将开窗器放在两个安装支架中间，两端用六角螺钉固定，然后将链条前端固定块放入链条固定架中间，将链条固定架插销插入，如图4。
- ◆ Determine the center line of the window opening fan, as shown in Figure 1.
- ◆ Make the center line of the window opening fan coincide with the center line of the chain fixing frame, taking into account the closed state of the window when the chain is retracted into the window opener, and fix it with Φ5×25mm round head tapping screws, as shown in Figure 2.
- ◆ Determine the position of the mounting bracket according to the position of the chain fixing frame. The chain and the window opener should be kept vertical. Each mounting bracket is fixed with Φ5×25mm round head tapping screw, as shown in Figure 3.
- ◆ Place the window opener in the middle of the two mounting brackets, fix both ends with hexagonal screws, then put the front end of the chain into the middle of the chain bracket, and insert the chain bracket pin, as shown in Figure 4.

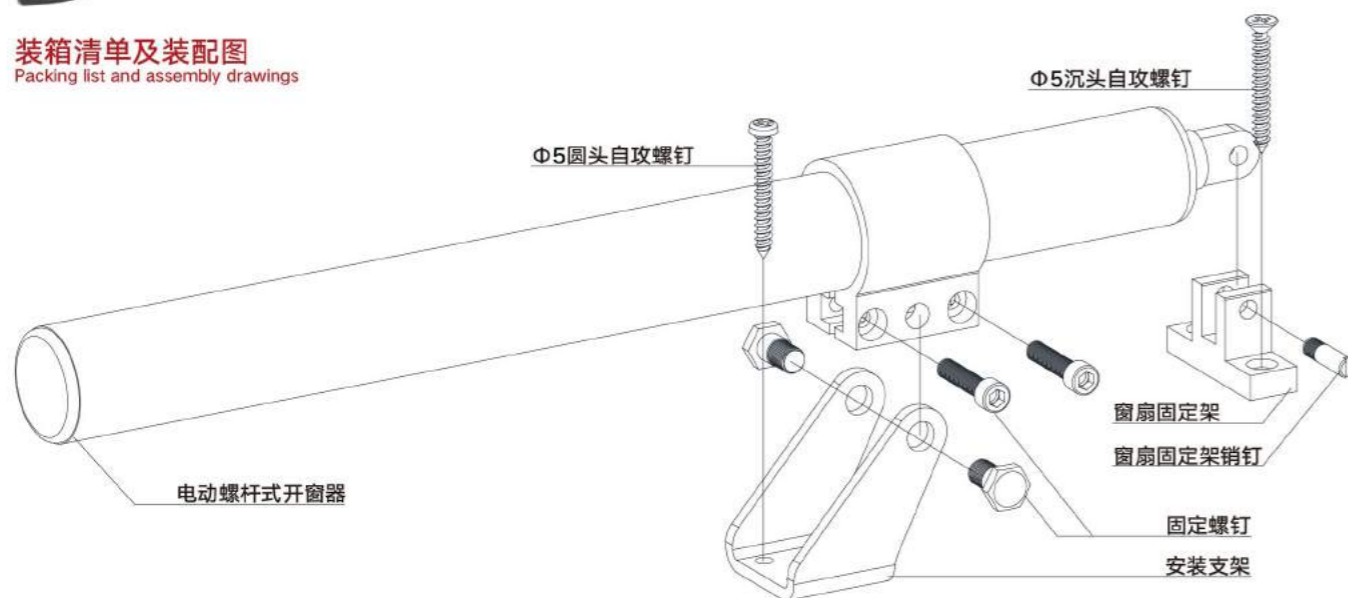
安装实例
Sample



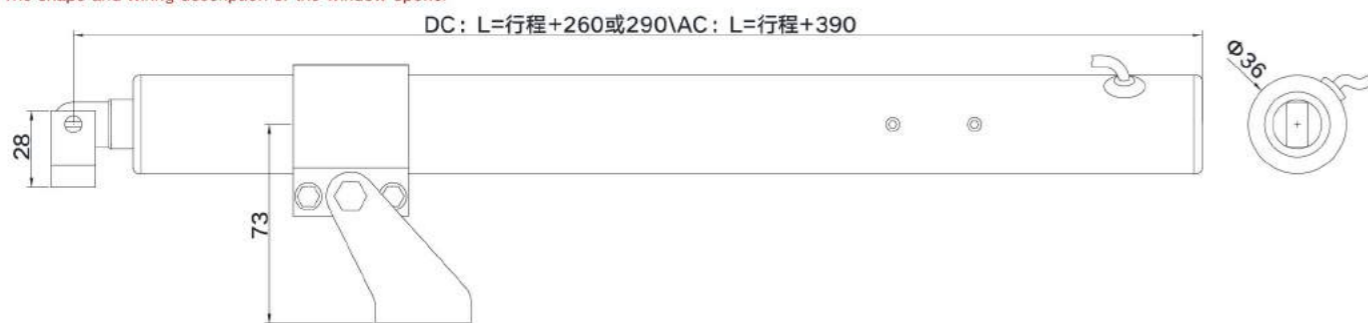
TB-KCQ14
电动螺杆式开窗器



装箱清单及装配图
Packing list and assembly drawings



开窗器的外形及接线说明
The shape and wiring description of the window opener

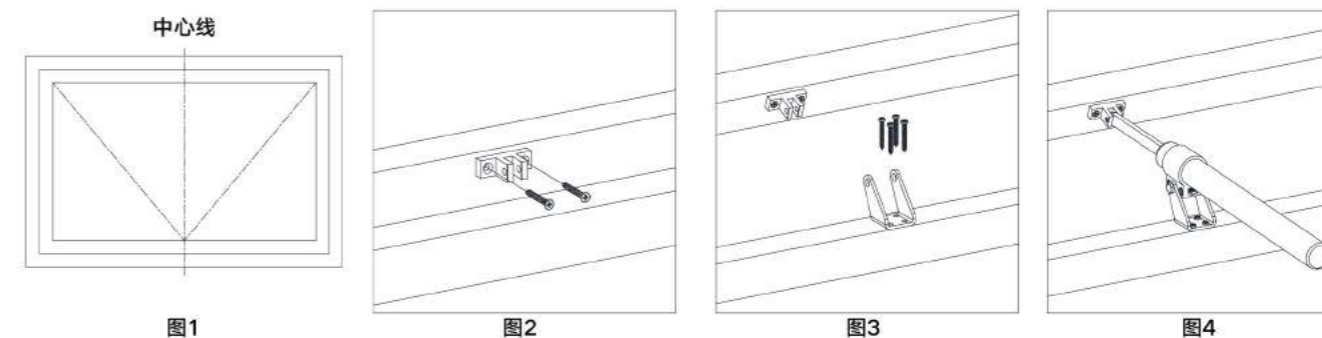


接线方案 Wiring scheme	直流DC24VA		交流AC230VA	
	开	关	开	关
棕色	+	-	LA	
黑色				LA
蓝色	-	+	N	N

规格型号及参数
Specifications and parameters

型号 Model	TB-KCQ04-DC24V	TB-KCQ04-AC230V
拉力/推力 (N) Pull/Thrust	600/800	600/800
最大工作电流 (A) Maximum working current	1.0/1.2	0.15/0.18
行程距离 (mm) Travel distance	50~1000	50~1000
推动速度 (mm/src) Travel distance	~6	~6
工作电压 (V) Operating Voltage	DC24V ± 10%	AC230V ± 10%
环境温度 (°C) Ambient temperature	-20~+75	-20~+75
防护等级 Protection level	65	65

- ◆ 适用于上、中、下悬窗、外倒窗、内倒窗、天窗等各种窗型。
- ◆ 有多种支架可供选择，以满足不同的安装需求。
- ◆ 行程、推拉力、表面颜色可根据客户的需求来定制，开窗器的推杆可选用不锈钢材质。
- ◆ 开窗器内置电子装置，利用微电脑芯片 (MCU) 来控制，具有遇障碍物过载保护的功能。
- ◆ Suitable for various window types such as upper, middle and lower hanging windows, outer inverted windows, inner inverted windows, skylights, etc.
- ◆ There are a variety of brackets to choose from to meet different installation needs.
- ◆ Stroke, push-pull force, and surface color can be customized according to customer needs. The push rod of the window opener can be made of stainless steel.
- ◆ The window opener has a built-in electronic device, which is controlled by a microcomputer chip (MCU), and has the function of overload protection when encountering obstacles.



安装步骤
Installation steps

- ◆ 确定窗户开启扇的中心线，如图1。
- ◆ 使窗户开启扇中心线与窗扇固定架的中心线相重合，兼顾链条收回到开窗器内时窗户关紧状态，用Φ5沉头自攻螺钉固定窗扇固定座，如图2。
- ◆ 根据窗扇固定架的位置确定出安装支架的位置，安装支架用Φ5圆头自攻螺钉固定，如图3。
- ◆ 将固定圈套入开窗器放在安装支架中间，两端分别用外六角螺钉固定，然后用内六角扳手将固定圈上面的两个内六角螺钉锁紧，如图4。
- ◆ Determine the center line of the window opening fan, as shown in Figure 1.
- ◆ Make the center line of the window opening fan coincide with the center line of the window sash fixing frame, taking into account the closed state of the window when the chain is retracted into the window opener, and fix the window sash fixing seat with Φ5 countersunk head tapping screws, as shown in Figure 2.
- ◆ Determine the position of the mounting bracket according to the position of the window sash fixing frame. The mounting bracket is fixed with Φ5 round head tapping screws, as shown in Figure 3.
- ◆ Put the fixing ring into the window opener and place it in the middle of the mounting bracket, and fix both ends with hexagonal screws. Then use an Allen wrench to lock the two hexagonal screws on the fixing ring, as shown in Figure 4.

安装实例
Sample



BRAND HISTORY

品牌历程

